

Whirlpool

Refrigerator / User Manual

Congélateur / Réfrigérateur / Manuel d'utilisation

ثلاجة / دليل المستخدم



WTMF 701452 WME

®/TM/© 2024 Whirlpool. Produced under license_®/TM/© 2024
Whirlpool. Produit sous licence_®/TM/© 2024 Whirlpool تم إنتاجه بموجب
ترخيص

15 7550 0084/ EN FR AR / AC/ 2/11/2025 10:08 AM
7293240112



Please read this manual first!

Dear Customer

Thank you for choosing this product.

Please register your products on www.register10.eu

We would like you to achieve the optimal efficiency from this high quality product which has been manufactured with state of the art technology. To do this, carefully read this manual and any other documentation provided before using the product.

Heed all information and warnings in the user manual. This way, you will protect yourself and your product against the dangers that may occur. Keep the user manual. Include this manual with the product if you hand it over to someone else.

The following symbols are used in the user manual and on the product:




Read the user manual.



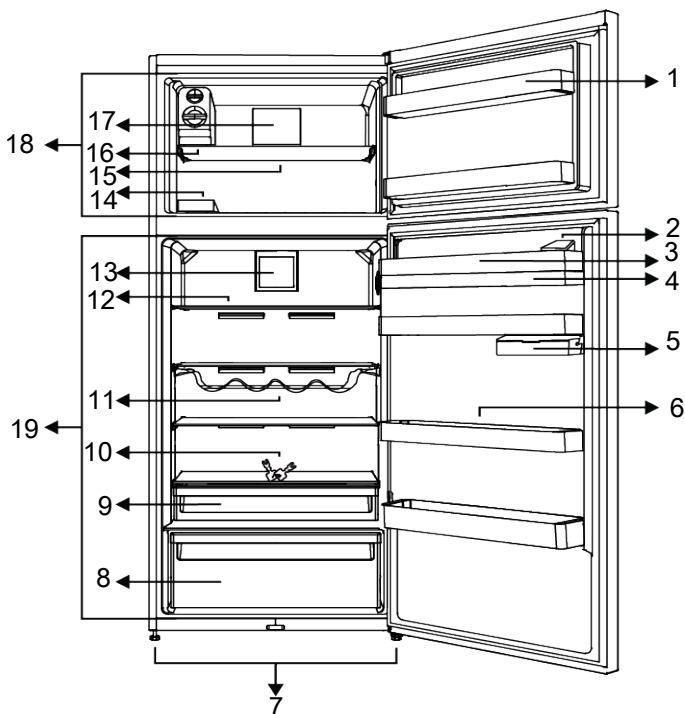
1 Environmental Instructions

1.1 Disposal Of Packaging Materials

The packaging material is recyclable and is marked with the recycle symbol .

The various parts of the packaging must therefore be disposed of responsibly and in full compliance with local authority regulations governing waste disposal.

2 Your Refrigerator



- | | |
|---------------------------------------|-------------------------------------|
| 1 *Freezer compartment door shelf | 2 * Water dispenser filling tank |
| 3 * Cooler compartment door shelf | 4 * Water dispenser reservoir |
| 5 *Storage container under door shelf | 6 * Movable door shelf |
| 7 Adjustable legs | 8 *Crisper |
| 9 * Zero degree compartment | 10 * Lock and Key |
| 11 *Bottle shelf | 12 * Cooler compartment glass shelf |
| 13 Fan | 14 * Ice Container |
| 15 Freezer compartment shelf | 16 * Ice making capacity |
| 17 Fan | 18 Freezer compartment |
| 19 Cooler compartment | |

***Optional:** Figures in this user manual are schematic and may not exactly match your product. If your product does not comprise the relevant parts, the information pertains to other models.

3 Installation

Read the "Safety Instructions" first!

3.1 Right Place For Installation

Contact the Authorized Service for the product's installation. To prepare the product for installation, see the information in the user manual and make sure the electric and water utilities are as required. If not, call an electrician and plumber to arrange the utilities as necessary.

- Place the product on a flat surface to avoid vibration
- Place the product at least 30 cm away from the heater, stove and similar sources of heat and at least 5 cm away from electric ovens.
- When placing two coolers in adjacent position, leave at least 4 cm distance between the two units.
- Keep the product out of direct sunlight and in a dry place.
- Your product requires adequate air circulation to function efficiently. If you place the product in an alcove, remember to leave at least 5 cm clearance between the product and the ceiling, rear wall and the side walls.
- Check if the rear wall clearance protection component is present at its location (if provided with the product).
- If the component is not available, or if it is lost or fallen, position the product so that at least 5 cm clearance shall be left between the rear surface of the product and the wall of the room. The clearance at the rear is important for efficient operation of the product.

3.2 Electrical Connection



Do not use extension cables or multi sockets in power connection.



Damaged power cable must be replaced by Authorized Service.



When placing two coolers in adjacent position, leave at least 4 cm distance between the two units.

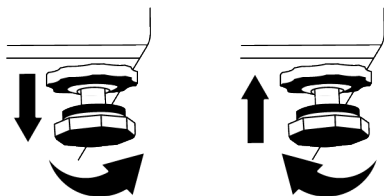


Before transport or use, never open the control board cover on the product. Risk of electric shock and fire!

- Our firm will not assume responsibility for any damages due to usage without earthing and without power connection in compliance with national regulations.
- The power cable plug must be easily accessible after installation.
- Do not use multi-group plug with or without extension cable between the wall socket and the refrigerator.

3.3 Adjusting the Legs

If the product is not in balanced position, adjust the front adjustable legs by rotating them to right or left.

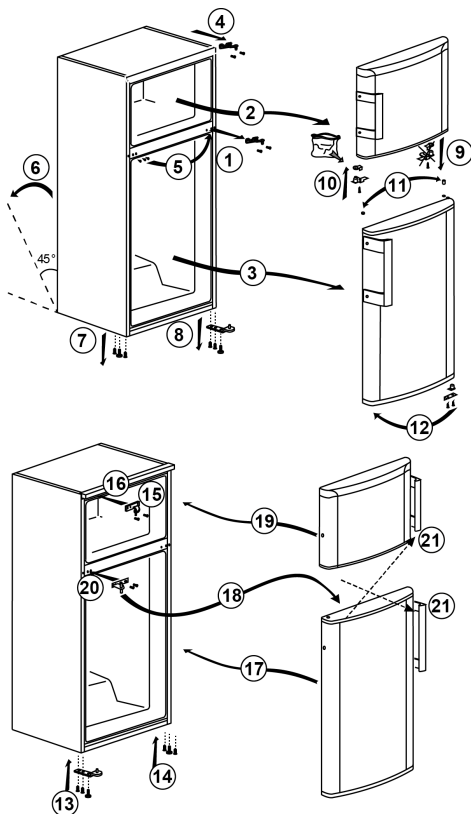


3.4 Hot Surface Warning

The side walls of your product are equipped with cooler pipes to enhance the cooling system. High pressure fluid may flow

through these surfaces, and cause hot surfaces on the side walls. This is normal and it does not require servicing.

4 Changing Door Direction



5 Preparation

Read the "Safety Instructions" first!

5.1 What To Do For Energy Saving

- This refrigerating appliance is not intended to be used as a built in appliance.
- When loading the food, leave enough space inside the refrigerator to allow sufficient air circulation for cooling.
- Since hot and humid air will not directly penetrate into your product when the doors are not opened, your product will optimize itself in conditions sufficient to protect your food. Under these circumstances, functions and components such as compressor, fan, heater, defrost, lighting, display and so on will operate according to the needs by consuming minimum energy.
- In case that multiple options are present, glass shelves must be placed so that the air outlets at the rear wall are not blocked and preferably, in a way that air outlets remain below the glass shelf. This combination may help improving air distribution and energy efficiency.

- Food shall be stored using the drawers in the cooler compartment in order to ensure energy saving and protect food in better conditions.

5.2 First Use

Before using your product make sure the necessary preparations are made in line with the instructions in "Safety Instructions" and "Installation" sections.

- Wait for at least 2 hours before operating the product, to ensure the complete efficiency of refrigeration.
- Keep the product running without placing any food inside for 6 hours and the product door should be kept as closed as possible.
- The temperature change caused by opening and closing of the door while using the product may normally lead to condensation on door/body shelves and glassware placed in the product.
- A sound will be heard when the compressor is engaged. It is normal for the product to make noise even if the compressor is not running, as fluid and gas may be compressed in the cooling system.

- It is normal for the front edges of the product to be warm. These areas are designed to warm up in order to prevent condensation
- For some models, indicator panel turns off automatically 1 minute after the door closes. It will be reactivated when the door is opened or any button is pressed.

5.3 Climate Class and Definitions

Please refer to the Climate Class on the rating plate of your device. One of the following information is applicable to your device according to the Climate Class.

- **SN:** Long Term Temperate Climate: This cooling device is designed for use at ambient temperatures between 10 °C and 32 °C.
- **N:** Temperate Climate: This cooling device is designed for use at ambient temperatures between 16°C and 32 °C.
- **ST:** Subtropical Climate: This cooling device is designed for use at ambient temperatures between 16°C and 38°C.
- **T:** Tropical Climate: This cooling device is designed for use at ambient temperatures between 16°C and 43°C.

6 Using The Product



Read the "Safety Instructions" section first!

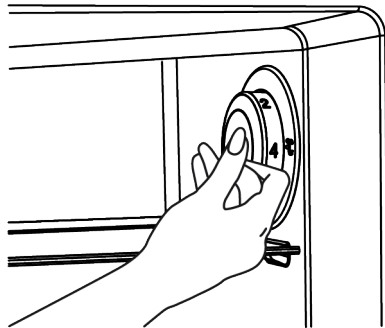
6.1 Using The Product

Temperature adjustment button

- Read the "Safety Instructions" first.

Shown functions are optional, there may be differences of shape and location in functions found on your appliance's indicator panel.

Auditory and visual functions on the indicator panel will assist you in using the refrigerator.



Internal temperature of your refrigerator changes because of the reasons mentioned below:

Season temperatures,

Opening the door frequently and leaving it open for a long time,
 The meals that are placed in the refrigerator in a hot state without being reduced to the room temperature,
 The location of the refrigerator in the room (like being exposed to the sun heat)
 You can adjust the internal temperature which changes due to these reasons via adjustment knob.

The numbers around the adjustment knob show temperature degrees as "°C".

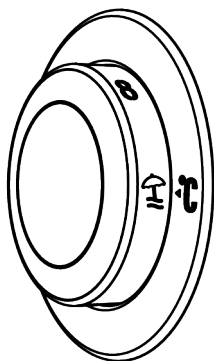
If the ambient temperature is 25°C, it is recommended to use the temperature adjustment knob of the refrigerator at the position of 4°C. At other ambient temperatures, this value can be increased or decreased according to the needs.

Vacation function

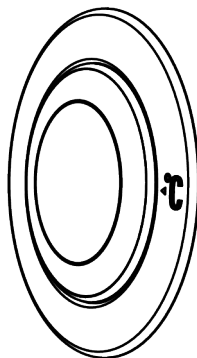
When you turn the pipe into the vacation function, the vacation mode will be activated.

In order to cancel the function, the knob adjustment should be changed.

When the vacation function is active, it is not recommended to store food in the cooler compartment.



After completing the adjustment, you can hide the temperature adjustment knob by pushing the knob in.



6.2 Storing Food in the Freezer and Cooler Compartment

Storing food in the freezer compartment

- You can activate Quick Freezing function 4-6 hours before freezing function and perform a faster cooling.
- Bring hot meals to the room temperature before placing them in the freezer compartment.
- Foods to be frozen must be divided into portions according to a size to be consumed, and frozen in separate packages.
- It is recommended to pack the foods before placing them in the freezer.
- In order to prevent expiration of storage time, write the freezing date, time and name of the product on the package according to the storage times of different foods.
- Consume the foods you have defrosted quickly. Defrosted foods cannot be frozen again unless they are cooked. It is not safe to consume the refrozen fresh foods without cooking after they are defrosted.
- As you freeze fresh foods, do not bring them in contact with already frozen foods. Otherwise, frozen foods will be defrosted.

Storing the foods, which are sold frozen

- Always follow the instructions of the producer in relation to the time during which you are required to store your foods. Do not exceed the time specified in these instructions!

- In order to protect the quality of the food, keep the time interval between purchasing transaction and storing as short as possible.
- Buy frozen food which are stored at -18°C or lower temperatures.
- Avoid buying foods whose packages are covered with ice etc. This means that the product could be partially defrosted and refrozen. Temperature impacts the quality of the food.
- Do not exceed the storing time recommended by the food producer. Remove only the food as much as you need from the freezer.
- Except the cases where extreme circumstances are available in the environment, if your product (on the recommended set values table) is set to the specified set values, the food keep their freshness for a longer time both in the fresh product compartment and freezer compartment.
- If fresh food compartment is set to a lower temperature, fresh fruits and vegetables may be partially frozen.

Recommended set values table

Freezer details

As per the IEC 62552 standards, the freezer must have the capacity to freeze 4,5 kg of food items at -18°C or lower temperatures at 25°C room temperature in 24 hours for each 100 litres of freezer compartment volume.

Food products can only be preserved for extended periods at or below temperature of -18°C .

You can keep the foods fresh for months (in freezer at or below temperatures of -18°C).

The food products to be frozen must not contact the already-frozen food inside to avoid partial defrosting.

Boil the vegetables and filter the water to extend the frozen storage time. Place the food in air-tight packages after filtering and place in the freezer. Bananas, tomatoes, lettuce, celery, boiled eggs, potatoes and

similar food items should not be frozen. In case these foods are frozen, only nutritional values and eating qualities will be negatively affected. A rotting that would threaten human health is not in question.

Placing the food

Freezer compartment shelves: Different frozen foods like meat, fish, ice cream, vegetables etc.

Cooler compartment shelves: Food items inside pots, capped plate and capped cases, eggs (in closed case)

Cooler compartment door shelves: Small and packaged food or beverages

Crisper: Vegetables and fruits

Fresh food compartment: Delicatessen (breakfast food, meat products to be consumed in short time)

Storing food in the cooler compartment

- Compartment temperatures rise prominently if compartment door is opened and closed frequently and kept open for a long time, this can reduce the life span of the food and cause the food to spoil.
- In order not to cause odour and taste changes, the food should be stored in the closed containers.
- Do not store too much food in your refrigerator. To achieve a better and homogeneous cooling, place the food separately in a way that cold air can wander through them.
- Provide air flow by leaving a space between the food and internal wall. If you lean the food against the rear wall, the food may freeze.
- Bring cooked hot meals to the room temperature before placing them in the refrigerator. Then, you can place the tepid meal in the lower shelves of your refrigerator. Do not place the tepid meals close to the foods which may easily spoil.
- Defrost your frozen food in the fresh food compartment. Thereby, you can cool fresh food compartment by using frozen food and save energy.

- Storing unripe tropical fruits (mango, melon varieties, papaya, banana, pineapple) in the refrigerator may speed up the ripening process. This is not recommended because it will cause shorter storage time.
- You should store onions, garlands, ginger and other root vegetables in dark and cold room conditions, not in the refrigerator.
- If you notice that a food has spoiled in the refrigerator, throw away that food and clean the accessories which have come into contact with it.
- In order to cool the meals like soups and stews, which are cooked in the large pots, quickly, you can put them in the refrigerator by separating them into their own shallow containers.
- Do not place unpackaged food close to eggs.
- Keep the fruits and vegetables separately and store each variety together (for example; apples with apples, carrots with carrots).
- Take green vegetables out of the plastic bag and place them in the refrigerator after wrapping them in a paper towel or drying cloth. If you wash this type of food before placing them in the refrigerator, remember to dry them.
- You can both create a damp environment and provide an air flow by keeping fruits and vegetables, which are prone to drying, in the perforated or unsealed plastic bags.
- Except the cases where extreme circumstances are available in the environment, if your product (on the recommended set values table) is set to the specified set values, the food keep their freshness for a longer time both in the fresh product compartment and freezer compartment.

Store different food in different places according to their properties.

Food	Location
Egg	Door Shelf
Dairy products (butter, cheese)	If available, zero degree (for breakfast food) compartment
Fruits, vegetables and greenery	Fruit-vegetable compartment, crisper or EverFresh+ compartment (if available)
Fresh meat, poultry, fish, sausage etc. Cooked foods	If available, zero degree (for breakfast food) compartment
Ready to serve foods, packaged products, canned foods and pickles	Top shelves or door shelf
Beverages, bottles, spices and snacks	Door Shelf

6.3 Door Open Alert

The door open alert system of your refrigerator may differ depending on the model.

Version 1;

If the door of the product remains open for a certain time (between 60 s and 120 s), an audio warning signal sounds; depending on the product model, a visual warning signal (light flash) can also be displayed. If you close the door of the device or press a button on the screen of the device, if any, the warning sound will stop.

Version 2;

If the door of the device remains open for a certain period of time (between 60 s and 120 s), the door open alert is sounded. The door open alert is sounded gradually. First, an audible warning starts to sound. After 4 minutes, if the door is still not closed, a visual warning (lighting flash) is activated. The door open alert will be delayed for a certain period of time (between 60 s and 120 s) when any key on the product screen,

if any, is pressed. Then the process will start again. When the device door is closed, the door open alert will be cancelled.

7 Product Features

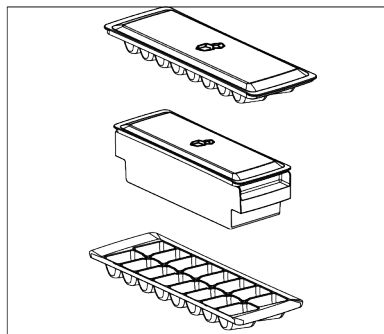
7.1 The ice storage area

Ice Container

Ice bucket allows you take ice easily from the refrigerator.

Using the ice bucket

1. Take the ice bucket out of the freezer compartment.
2. Fill the ice bucket with water.
3. Place the ice bucket into the freezer compartment. The ice will be ready after approximately two hours.
4. Take the ice bucket from the freezer compartment and bend in slightly over the holder that you are going to serve. Ice will easily pour into the serving holder.



8 Maintenance and Cleaning

Read the "Safety Instructions" first!

Before cleaning your product, unplug it or de-energize the fuse to which it is connected.

Do not place your hands, feet or metal objects under the refrigerator or between the refrigerator and the floor for whatsoever reason. Jamming may occur or any sharp edge may cause personal injuries.

7.2 Egg holder

You can place the egg holder on the door or body shelf you wish.

If the egg holder is to be placed on the body shelf, we recommend you to choose colder lower shelves.

- Never place the egg holder on the freezer compartment.

7.3 Crisper

The refrigerator's crisper is designed to keep vegetables fresh by preserving their humidity. For this purpose, the overall cold air circulation is intensified in the crisper. Keep fruits and vegetables in this compartment. Keep the green-leaved vegetables and fruits separately to prolong their life.

- Do not use sharp or abrasive tools to clean the product. Do not use materials such as household cleaning agents, soap, detergents, gas, gasoline, thinner, alcohol, wax, etc.
- The dust shall be removed from the ventilation grill on the rear of the product at least once a year (without opening the cover). Clean the product with a dry cloth.
- Take care to keep water away from the lamp's cover and other electrical parts.

- Clean the door with a damp cloth. Remove all contents to remove the door and body racks. Remove the door racks by lifting them upwards. Clean and dry the shelves, then attach back in place by sliding from above.
- Do not use chlorinated water or cleaning products on the exterior surface and chrome coated parts of the product. Chlorine will cause rust on such metallic surfaces.
- Do not use sharp and abrasive tools, soap, house cleaning materials, detergents, gas, gasoline, varnish and similar substances to prevent deformation of and removal of prints on the plastic part. Use warm water and a soft cloth for cleaning, and then dry it.
- On the products without a No-Frost feature, water droplets and icing up to a thickness of a finger may occur on the rear wall of the cooler compartment. Do not clean, and never apply oils or similar materials.
- Use only a mildly dampened micro-fibre cloth to clean the external surface of the product. Sponges and other types of cleaning clothes may cause scratches.
- To clean all removable components during the cleaning of the interior surface of the product, wash these components with a mild solution consisting of soap,

water and carbonate. Wash and dry thoroughly. Prevent contact of water with illumination components and the control panel.

- Do not use vinegar, rubbing alcohol or other alcohol based cleaning agents on any interior surface.

Stainless Steel External Surfaces

Use a non-abrasive stainless steel cleaning agent and apply it with a soft lint-free cloth. To polish, gently wipe the surface with a micro-fibre cloth dampened with water and use dry polishing chamois. Always follow the veins of the stainless steel.

Preventing Odours

The product is manufactured free of any odorous materials. However, inappropriately storing food and improper cleaning of internal surfaces may lead to odours.

- To avoid this, clean the inside with carbonated water every 15 days.
- Keep the foods in sealed holders, as micro-organisms arising from foods kept in unsealed containers will cause bad odour.
- Do not keep expired and spoilt foods in the refrigerator.

Protecting Plastic Surfaces

Oil spilled on plastic surfaces may damage the surface and must be cleaned immediately with warm water.

9 Troubleshooting

Read the "Safety Instructions" first!

Check this list before contacting the service. Doing so will save you time and money. This list includes frequent complaints that are not related to faulty workmanship or materials. Certain features mentioned herein may not apply to your product.

If the problem persists after following the instructions in this section, contact your vendor or an Authorized Service. Do not try to repair the product.

The refrigerator is not working.

- The power plug is not fully settled. >>> Plug it in to settle completely into the socket.
- The fuse connected to the socket powering the product or the main fuse is blown. >>> Check the fuse.

Condensation on the side wall of the cooler compartment (MULTI ZONE, COOL CONTROL and FLEXI ZONE).

- The door is opened too frequently. >>> Take care not to open the product's door too frequently.

- The environment is too humid. >>> Do not install the product in humid environments.
- Foods containing liquids are kept in unsealed holders. >>> Keep the foods containing liquids in sealed holders.
- The product's door is left open. >>> Do not keep the product's door open for long periods.
- The thermostat is set to a very cool temperature. >>> Set the thermostat to an appropriate temperature.

Compressor is not working.

- In case of sudden power failure or pulling the power plug off and putting back on, the gas pressure in the product's cooling system is not balanced, which triggers the compressor thermic safeguard. The product will restart after approximately 6 minutes. If the product does not restart after this period, contact the service.
- Defrosting is active. >>> This is normal for a fully-automatic defrosting product. The defrosting is carried out periodically.
- The product is not plugged in. >>> Make sure the power cord is plugged in.
- The temperature setting is incorrect. >>> Select the appropriate temperature setting.
- The power is out. >>> The product will continue to operate normally once the power is restored.

The refrigerator's operating noise is increasing while in use.

- The product's operating performance may vary depending on the ambient temperature variations. This is normal and not a malfunction.

The refrigerator runs too often or for too long.

- The new product may be larger than the previous one. Larger products will run for longer periods.
- The room temperature may be high. >>> The product will normally run for long periods in higher room temperature.

- The product may have been recently plugged in or a new food item is placed inside. >>> The product will take longer to reach the set temperature when recently plugged in or a new food item is placed inside. This is normal.
- Large quantities of hot food may have been recently placed into the product. >>> Do not place hot food into the product.
- The doors were opened frequently or kept open for long periods. >>> The warm air moving inside will cause the product to run longer. Do not open the doors too frequently.
- The freezer or cooler door may be ajar. >>> Check that the doors are fully closed.
- The product may be set to a temperature that is too low. >>> Set the temperature to a higher degree and wait for the product to reach the adjusted temperature.
- The cooler or freezer door washer may be dirty, worn out, broken or not properly settled. >>> Clean or replace the gasket. Damaged / torn door washer will cause the product to run for longer periods to preserve the current temperature.

The freezer temperature is very low, but the cooler temperature is adequate.

- The freezer compartment temperature is set to a very low degree. >>> Set the freezer compartment temperature to a higher degree and check again.

The cooler temperature is very low, but the freezer temperature is adequate.

- The cooler compartment temperature is set to a very low degree. >>> Set the cooler compartment temperature to a higher degree and check again.

The food items kept in cooler compartment drawers are frozen.

- The cooler compartment temperature is set to a very low degree. >>> Set the cooler compartment temperature to a higher degree and check again.

The temperature in the cooler or the freezer is too high.

- The cooler compartment temperature is set to a very high degree. >>> Temperature setting of the cooler compartment has an effect on the temperature in the freezer compartment. Wait until the temperature of relevant parts reach the sufficient level by changing the temperature of cooler or freezer compartments.
- The doors were opened frequently or kept open for long periods. >>> Do not open the doors too frequently.
- The door may be ajar. >>> Fully close the door.
- The product may have been recently plugged in or a new food item is placed inside. >>> This is normal. The product will take longer to reach the set temperature when recently plugged in or a new food item is placed inside.
- Large quantities of hot food may have been recently placed into the product. >>> Do not place hot food into the product.

Shaking or noise.

- The surface is not flat or durable >>> If the product is shaking when moved slowly, adjust the stands to balance the product. Also make sure the ground is sufficiently durable to bear the product.
- Any items placed on the product may cause noise. >>> Remove any items placed on the product.
- The product is making noise of liquid flowing, spraying etc.
- The product's operating principles involve liquid and gas flows. >>> This is normal and not a malfunction.

There is sound of wind blowing coming from the product.

- The product uses a fan for the cooling process. This is normal and not a malfunction.

There is condensation on the product's internal walls.

- Hot or humid weather will increase icing and condensation. This is normal and not a malfunction.
- The doors were opened frequently or kept open for long periods. >>> Do not open the doors too frequently; if open, close the door.
- The door may be ajar. >>> Fully close the door.

There is condensation on the product's exterior or between the doors.

- The ambient weather may be humid, this is quite normal in humid weather. >>> The condensation will dissipate when the humidity is reduced.

The interior smells bad.

- The product is not cleaned regularly. >>> Clean the interior regularly using sponge, warm water and carbonated water.
- Certain holders and packaging materials may cause odour. >>> Use holders and packaging materials without free of odour.
- The foods were placed in unsealed holders. >>> Keep the foods in sealed holders. Micro-organisms may spread out of unsealed food items and cause bad odour.
- Remove any expired or spoiled foods from the product.

The door is not closing.

- Food packages may be blocking the door. >>> Relocate any items blocking the doors.
- The product is not standing in full upright position on the ground. >>> Adjust the stands to balance the product.
- The surface is not flat or durable >>> Make sure the surface is flat and sufficiently durable to bear the product.

The crisper is jammed.

- The food items may be in contact with the upper section of the drawer. >>> Reorganize the food items in the drawer.

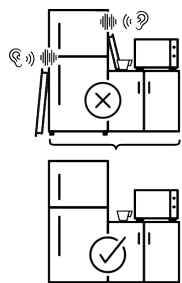
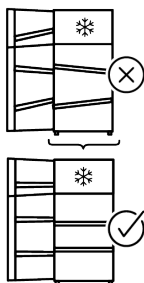
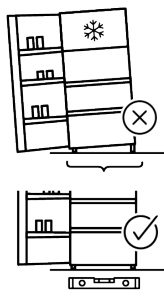
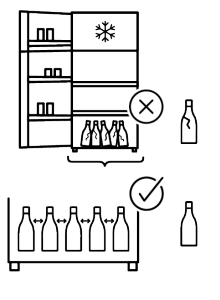
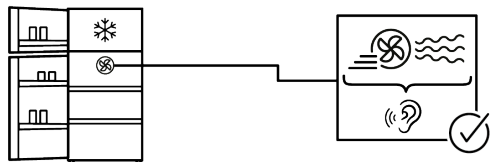
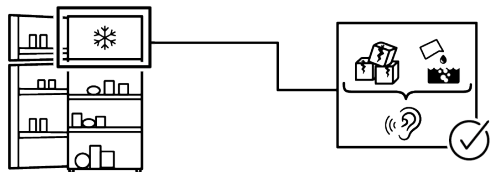
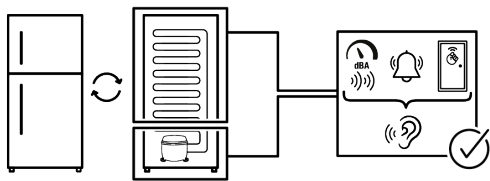
Temperature on the product surface.

- High temperature may be observed between two doors, on the side panels and on the rear grill area while your product is operated. This is normal and it does not require servicing.

Fan continues to operate when the door is opened.

- Fan may continue to operate when the freezer door is open.

If the problem persists after following the instructions in this section, contact your vendor or an Authorized Service. Do not try to repair the product. This is normal.



Premièrement veuillez lire ce manuel !

Cher client, chère cliente,

Nous vous remercions d'avoir choisi ce produit.

Veuillez enregistrer vos produits sur www.register10.eu

Nous aimerions que vous obteniez une efficacité optimale de cet appareil de haute qualité qui a été fabriqué avec une technologie de pointe. Pour ce faire, lisez attentivement ce manuel et toute autre documentation fournie avant d'utiliser le produit.

Tenez compte de toutes les informations et avertissements du manuel d'utilisation. De cette façon, vous vous protégez, vous et votre appareil, contre les dangers qui peuvent survenir. Conservez le manuel d'utilisation. Joignez ce guide à l'unité si vous le remettez à quelqu'un d'autre.

Les symboles suivants sont utilisés dans le manuel de l'utilisateur et sur le produit :




Lisez le manuel d'utilisation.



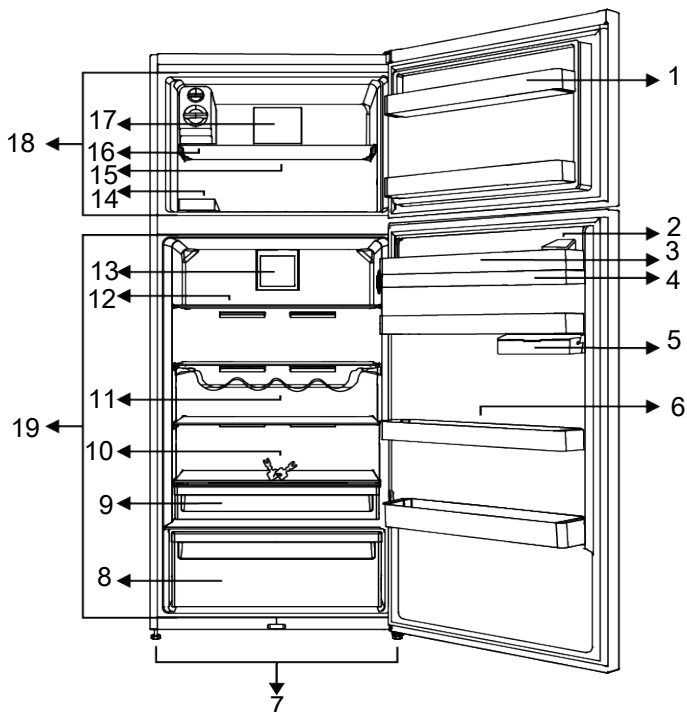
1 Instructions environnementales

1.1 Élimination des matériaux d'emballage

Les matériaux d'emballage sont recyclables et sont marqués du symbole de recyclage .

Les différentes parties de l'emballage doivent donc être éliminées de manière responsable et dans le respect des réglementations locales en matière d'élimination des déchets.

2 Votre réfrigérateur



- | | |
|--|--|
| 1 * Balconnets de la porte du compartiment congélateur | 2 * Réservoir de remplissage de distributeur d'eau |
| 3 * Étagère de la porte du compartiment réfrigéré | 4 * Réservoir de distributeur d'eau |
| 5 * Récipient de rangement sous l'étagère de la porte | 6 * Étagères à portes mobiles |
| 7 Pieds réglables | 8 * Bac à légumes |
| 9 * Compartiment zéro degré | 10 * Serrure et clé |
| 11 Étagère pour les bouteilles | 12 * Étagère en verre du compartiment réfrigéré |
| 13 Ventilateur | 14 * Récipient à glace |
| 15 Étagères du compartiment congélateur | 16 * Capacité de production de glace |
| 17 Ventilateur | 18 Compartiment de congélateur |
| 19 Compartiment réfrigérateur | |

***En option :** Les illustrations présentées dans ce manuel d'utilisation sont schématiques et peuvent ne pas correspondre

exactement à votre produit. Si votre appareil ne présente pas les parties citées, alors l'information s'applique à d'autres modèles.

3 Installation

Lisez d'abord les « Consignes de sécurité » !

3.1 Le bon endroit pour l'installation

Contactez le service agréé pour l'installation de votre réfrigérateur. Pour préparer l'installation du réfrigérateur, lisez attentivement les instructions du manuel d'utilisation et assurez-vous que les équipements électriques et d'approvisionnement d'eau sont installés convenablement. Si ce n'est pas le cas, appelez un électricien et un plombier pour faire le nécessaire pour les services publics.

- Placez l'appareil sur une surface plane pour éviter les vibrations
- Placez le produit à 30 cm du chauffage, de la cuisinière et des autres sources de chaleur similaires et à au moins 5 cm des fours électriques.
- Lorsque deux réfrigérateurs sont installés côte à côte, laissez au moins 4 cm de distance entre les deux appareils
- Conservez l'appareil à l'abri de la lumière directe du soleil et dans un endroit sec.
- Votre appareil nécessite une circulation d'air adéquate pour pouvoir fonctionner efficacement. Si vous placez l'appareil dans une alcôve, n'oubliez pas de laisser un espace d'au moins 5 cm entre l'appareil, le plafond, la paroi arrière et les parois latérales.
- Vérifiez que l'élément de protection d'espace de la façade arrière est présent à son emplacement (au cas où il est fourni avec l'appareil).
- Si l'élément n'est pas disponible, perdu ou tombé, positionnez l'appareil de manière à laisser un espace d'au moins 5 cm entre la surface arrière de l'appareil et les murs de la pièce. L'espace prévu à l'arrière est important pour le fonctionnement efficace de l'appareil.

3.2 Branchement électrique



N'utilisez pas de câbles de rallonge ou de prises multiples pour le branchement électrique.



Les câbles d'alimentation endommagés doivent être remplacés par le service agréé.



Lorsque deux réfrigérateurs sont installés côte à côte, laissez au moins 4 cm de distance entre les deux appareils

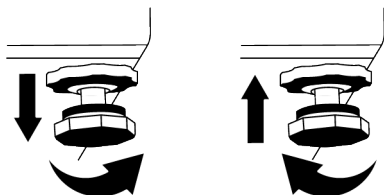


Avant le transport ou l'utilisation, n'ouvrez jamais le couvercle de la carte de contrôle du produit. Risque de choc électrique et d'incendie !

- Notre entreprise ne sera pas tenue responsable de tout dommage résultant de l'utilisation de l'appareil sans prise de mise à la terre ou branchement électrique conforme à la norme nationale en vigueur.
- Gardez la fiche du câble d'alimentation à portée de main après l'installation.
- N'utilisez pas de fiche multigroupe avec ou sans rallonge entre la prise murale et le réfrigérateur.

3.3 Réglages des pieds avant

Si l'appareil n'est pas équilibré, réglez les pieds avant en les tournant vers la gauche ou la droite.

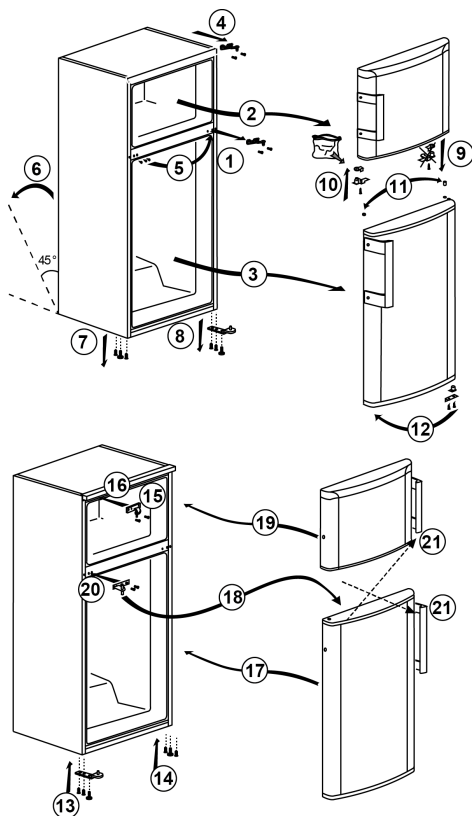


3.4 Attention aux surfaces chaudes

Les parois latérales de votre appareil sont équipées de tuyaux de refroidissement pour améliorer le système de refroidissement. Un fluide à haute pression peut

s'écouler à travers ces surfaces, et provoquer des surfaces chaudes sur les parois latérales. C'est normal et cela ne nécessite pas d'entretien.

4 Changement de direction de la porte



5 Préparation

Lisez d'abord les « Consignes de sécurité » !

5.1 Moyens d'économiser l'énergie

- Cet appareil de réfrigération n'est pas conçu pour être utilisé comme un appareil encastré.
- Lorsque vous chargez les aliments, laissez suffisamment d'espace à l'intérieur du réfrigérateur pour permettre une circulation d'air suffisante pour le refroidissement.
- Comme l'air chaud et humide ne pénètre pas directement dans votre produit lorsque les portes ne sont pas ouvertes, votre produit s'optimisera dans des conditions suffisantes pour protéger vos

aliments. Dans ces conditions, les fonctions et les composants tels que le compresseur, le ventilateur, le chauffage, le dégivrage, l'éclairage, l'affichage, etc. fonctionneront en fonction des besoins en consommant un minimum d'énergie.

- Dans le cas où plusieurs options sont présentes, les étagères en verre doivent être placées de manière à ce que les sorties d'air de la paroi arrière ne soient pas bloquées et, de préférence, de manière à ce que les sorties d'air restent sous l'étagère en verre. Cette combinaison peut contribuer à améliorer la distribution de l'air et l'efficacité énergétique.
- Les aliments sont stockés à l'aide des tiroirs du compartiment réfrigéré afin de garantir une économie d'énergie et de protéger les aliments dans de meilleures conditions.

5.2 Première utilisation

Avant d'utiliser votre appareil, assurez-vous que les installations nécessaires sont conformes aux instructions des sections « Consignes de sécurité » et « Installation ».

- Attendez au moins 2 heures avant de faire fonctionner le produit, afin d'assurer la pleine efficacité de la réfrigération.
- Laissez l'appareil fonctionner à vide pendant 6 heures, et la porte de l'appareil doit être maintenue fermée autant que possible.
- Le changement de température causé par l'ouverture et la fermeture de la porte pendant l'utilisation du produit peut normalement entraîner la formation de condensation sur les tablettes de la porte/du corps et sur les verres placés dans l'appareil.

- Un son retentit à l'activation du compresseur. Il est normal que l'appareil fasse du bruit même si le compresseur ne fonctionne pas, car du fluide et du gaz peuvent être comprimés dans le système de refroidissement.
- Il est normal que les bords avant de l'appareil soient chauds. Ces parties doivent en principe être chaudes afin d'éviter la condensation
- Pour certains modèles, le panneau indicateur s'éteint automatiquement 1 minute après la fermeture des portes. Il s'active à nouveau à l'ouverture de la porte ou lorsque vous appuyez sur n'importe quelle touche.

5.3 Classe climatique et définitions

Veillez vous référer à la classe climatique figurant sur la plaque signalétique de votre appareil. L'une des informations suivantes s'applique à votre appareil selon la classe climatique.

- **SN** : Climat tempéré à long terme : Ce dispositif de refroidissement est conçu pour être utilisé à une température ambiante comprise entre 10 °C et 32 °C.
- **N** : Climat tempéré : Ce dispositif de refroidissement est conçu pour être utilisé à une température ambiante comprise entre 16°C et 32 °C.
- **ST** : Climat subtropical : Ce dispositif de refroidissement est conçu pour être utilisé à une température ambiante comprise entre 16°C et 38°C.
- **T** : Climat tropical : Ce dispositif de refroidissement est conçu pour être utilisé à une température ambiante comprise entre 16°C et 43°C.

6 Utilisation de l'appareil



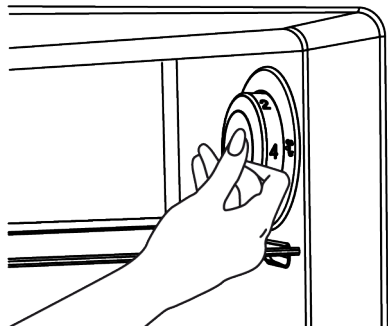
Lisez d'abord la section « Instructions de sécurité » !

6.1 Utilisation de l'appareil

Bouton de réglage de la température

- Lisez d'abord la « Instructions de sécurité ».

Les fonctions indiquées sont facultatives, il peut y avoir des différences de forme et d'emplacement au niveau des fonctions indiquées sur le panneau de votre appareil. Les fonctions sonores et visuelles dudit panneau vous aident à utiliser votre réfrigérateur.



La température interne de votre réfrigérateur change en fonction des raisons mentionnées ci-dessous :

Les températures des saisons,

Ouvrez la porte fréquemment et laissez-la ouverte pendant longtemps,

Les aliments qui sont placés dans le réfrigérateur à l'état chaud sans être ramenés à la température ambiante,

L'emplacement du réfrigérateur dans la chambre (comme s'il était exposé à la chaleur du soleil)

Vous pouvez régler la température interne qui varie pour ces raisons à l'aide du bouton de réglage.

Les chiffres autour du bouton de réglage indiquent les degrés de température en « °C ».

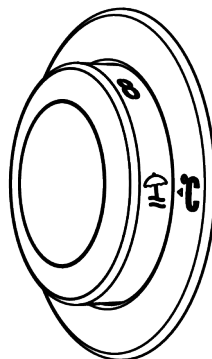
Si la température ambiante est de 25 °C, il est recommandé d'utiliser le bouton de réglage de la température du réfrigérateur sur la position de 4 °C. Pour d'autres températures ambiantes, cette valeur peut être augmentée ou diminuée en fonction des besoins.

Fonction Vacances

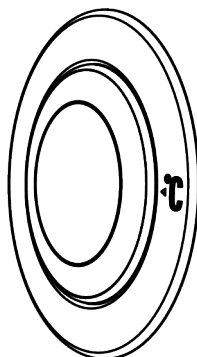
Lorsque vous mettez le tuyau en fonction vacances, le mode vacances est activé.

Pour annuler la fonction, il faut modifier le réglage du bouton.

Lorsque la fonction vacances est active, il n'est pas recommandé de stocker des aliments dans le compartiment réfrigérant.



Une fois le réglage terminé, vous pouvez masquer le bouton de réglage de la température en le poussant vers l'intérieur.



6.2 Stockage des aliments dans le compartiment du congélateur et du réfrigérateur

Stockage des aliments dans le compartiment congélateur

- Vous pouvez activer la fonction de congélation rapide 4 à 6 heures avant la fonction de congélation et profiter d'un refroidissement plus rapide.
- Amenez les repas chauds à la température ambiante avant de les placer dans le compartiment congélateur.

- Les aliments à congeler doivent être divisés en portions en fonction de la taille à consommer, et congelés dans des emballages séparés.
- Il est recommandé d'emballer les aliments avant de les placer dans le congélateur.
- Afin de prévenir l'expiration du temps de conservation, inscrivez la date et l'heure de congélation ainsi que le nom du produit sur l'emballage, en fonction des temps de conservation des différents aliments.
- Consommez rapidement les aliments que vous avez décongelés. Les aliments décongelés ne peuvent être recongelés que s'ils sont cuits. Il n'est pas sûr de consommer les aliments frais recongelés sans cuisson après leur décongélation.
- Lorsque vous congelez des aliments frais, ne les mettez pas en contact avec des aliments déjà congelés. Sinon, les aliments congelés seront décongelés.
- Sauf en cas de circonstances extrêmes dans l'environnement, si votre produit (sur le tableau des valeurs de consigne recommandées) est réglé sur les valeurs de consigne spécifiées, les aliments conservent leur fraîcheur plus longtemps, aussi bien dans le compartiment des produits frais que dans celui du congélateur.
- Si le compartiment des aliments frais est réglé sur une température inférieure, les fruits et légumes frais peuvent être partiellement congelés.

Tableau des valeurs de réglage recommandées

Détails du congélateur

Selon les normes IEC 62552, à une température ambiante de 25° C, le congélateur doit pouvoir congeler 4,5 kg de denrées alimentaires à - 18° C ou à des températures inférieures en 24 heures pour chaque 100 litres de volume du compartiment congélateur.

Les aliments peuvent être préservés pour des périodes prolongées uniquement à des températures inférieures ou égales à - 18° C.

Vous pouvez garder les aliments frais pendant des mois (dans le congélateur à des températures inférieures ou égales à - 18° C).

Les aliments à congeler ne doivent pas être en contact avec ceux déjà congelés pour éviter un dégivrage partiel.

Faites bouillir les légumes et filtrez l'eau pour prolonger la durée de conservation à l'état congelé. Placez les aliments dans des emballages sous vide après les avoir filtrés et placez-les dans le congélateur. Les bananes, les tomates, les feuilles de laitue, le céleri, les œufs durs, les pommes de terre et les aliments similaires ne doivent pas être congelés. Si ces aliments sont congelés, seules les valeurs nutritionnelles et les qualités gustatives seront affectées. Une pourriture qui mettrait en danger la santé humaine n'est pas à l'ordre du jour.

Stocker les aliments, qui sont vendus congelés

- Suivez toujours les instructions du producteur en ce qui concerne le temps pendant lequel vous devez conserver vos aliments. Ne dépassez pas le temps indiqué dans ces instructions !
- Afin de préserver la qualité des aliments, veillez à ce que l'intervalle de temps entre la transaction d'achat et le stockage soit aussi court que possible.
- Achetez les aliments congelés qui sont conservés à -18° C ou à des températures inférieures.
- Évitez d'acheter des aliments dont l'emballage est recouvert de glace, etc. Cela signifie que le produit pourrait être partiellement décongelé et recongelé. La température a un impact sur la qualité des aliments.
- Ne dépassez pas la durée de conservation recommandée par le producteur de l'aliment. Ne sortez du congélateur que les aliments dont vous avez besoin.

Placer les aliments

Balconnets du compartiment congélateur

:Différents aliments congelés comme la viande, le poisson, la crème glacée, les légumes, etc.

Étagères du compartiment réfrigérateur

:Les aliments contenus dans des casseroles, des plats couverts, des gamelles et les œufs (dans des gamelles fermées)

Balconnets de la porte du compartiment réfrigérateur

:Aliments ou boissons de petite taille et emballés.

Bac à légumes

:Delicatessen (aliments pour le petit déjeuner, produits carnés à consommer dans un délai court).

Stockage des aliments dans le compartiment réfrigérant

- La température des compartiments augmente considérablement si la porte du compartiment est ouverte et fermée fréquemment et si elle reste ouverte pendant longtemps, ce qui peut réduire la durée de vie des aliments et les faire se gâter.
- Afin de ne pas provoquer de changements d'odeur et de goût, les aliments doivent être conservés dans des récipients fermés.
- Ne conservez pas de quantités excessives d'aliments dans votre réfrigérateur. Pour obtenir un refroidissement plus efficace et homogène, placez les aliments séparément de manière à ce que l'air froid puisse circuler.
- Assurez la circulation de l'air en laissant un espace entre l'aliment et la paroi interne. Si vous appuyez les aliments contre la paroi arrière, ils risquent de geler.
- Amenez les plats chauds cuisinés à la température ambiante avant de les placer dans le réfrigérateur. Ensuite, vous pouvez placer le repas tiède dans les étagères inférieures de votre réfrigérateur.

Ne placez pas les repas tièdes à proximité des aliments qui peuvent facilement se gâter.

- Décongelez vos aliments congelés dans le compartiment des aliments frais. Ainsi, vous pouvez refroidir le compartiment des aliments frais en utilisant des aliments congelés et économiser de l'énergie.
- Conservez les fruits tropicaux non mûrs (mangue, variétés de melon, papaye, banane, ananas) au réfrigérateur peut accélérer le processus de maturation. Ceci n'est pas recommandé car cela entraînera une réduction de la durée de stockage.
- Vous devez conserver les oignons, les aulx, les gingembres et les autres légumes-racines dans une pièce sombre et froide, et non au réfrigérateur.
- Si vous remarquez qu'un aliment a tourné dans le réfrigérateur, jetez-le et nettoyez les accessoires qui ont été en contact avec cet aliment.
- Pour refroidir rapidement les plats tels que les soupes et les ragoûts, qui sont cuits dans de grandes marmites, vous pouvez les mettre au réfrigérateur en les séparant dans leurs propres récipients peu profonds.
- Ne placez pas d'aliments non emballés à proximité des œufs.
- Conservez les fruits et légumes séparément et stockez chaque variété ensemble (par exemple : les pommes avec les pommes, les carottes avec les carottes).
- Sortez les légumes verts du sac en plastique et placez-les au réfrigérateur après les avoir enveloppés dans une serviette en papier ou un linge sec. Si vous lavez ce type d'aliments avant de les placer dans le réfrigérateur, n'oubliez pas de les sécher.
- Vous pouvez à la fois créer un environnement humide et assurer une circulation d'air en conservant les fruits et légumes, qui ont tendance à sécher, dans des sacs en plastique perforés ou non fermés.

- Sauf en cas de circonstances extrêmes dans l'environnement, si votre produit (sur le tableau des valeurs de consigne recommandées) est réglé sur les valeurs de consigne spécifiées, les aliments

conservent leur fraîcheur plus longtemps, aussi bien dans le compartiment des produits frais que dans celui du congélateur.

Conservez les différents aliments dans des endroits différents en fonction de leurs caractéristiques.

Aliment	Emplacement
Œuf	Balconnet
Produits laitiers (beurre, fromage)	Si disponible, compartiment zéro degré (pour les aliments du petit-déjeuner)
Fruits, légumes et verdure	Compartiment fruits-légumes, bac à légumes ou Compartiment EverFresh+ (si disponible)
Viande fraîche, volaille, poisson, saucisses, etc. Aliments cuits	Si disponible, compartiment zéro degré (pour les aliments du petit-déjeuner)
Aliments prêts à consommer, produits emballés, conserves, produits marinés	Étagères supérieures ou balconnet
Boissons, bouteilles, épices et snacks	Balconnet

6.3 Alerte de porte ouverte

Le système d'alerte d'ouverture de porte de votre réfrigérateur peut varier selon le modèle.

Version 1;

Si la porte du produit reste ouverte pendant un certain temps (entre 60 s et 120 s), un signal d'avertissement sonore retentit ; selon le modèle de produit, un signal d'avertissement visuel (flash lumineux) peut également être affiché. Si vous fermez la porte de l'appareil ou appuyez sur une touche de l'écran de l'appareil, le signal d'avertissement sonore s'arrête.

Version 2;

Si la porte de l'appareil reste ouverte pendant un certain temps (entre 60 s et 120 s), l'alarme d'ouverture de porte retentit. L'alarme d'ouverture de porte retentit progressivement. Un signal d'avertissement sonore retentit d'abord. Si la porte n'est toujours pas fermée après 4 minutes, un avertissement visuel (lumière clignotante) est activé. L'alarme d'ouverture de porte est retardée pendant un certain temps (entre 60 s et 120 s) si l'on appuie sur n'importe quelle touche de l'écran du produit (le cas échéant). Le processus recommence alors. Lorsque la porte de l'appareil est fermée, l'alarme d'ouverture de porte est annulée.

7 Caractéristiques du produit

7.1 La zone de stockage de la glace

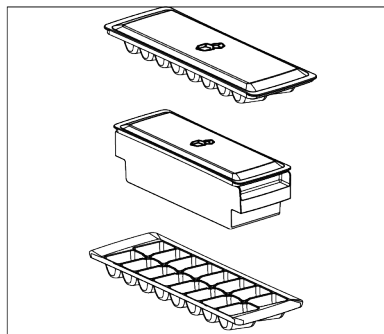
Récipient à glace

Le seau à glace vous permet de prendre facilement de la glace dans le réfrigérateur.

Utilisation du seau à glace

1. Sortez le seau à glace du compartiment congélateur.
2. Remplissez le seau à glace avec de l'eau.
3. Placez le seau à glace dans le compartiment du congélateur. Les glaçons seront prêts après environ deux heures.

4. Sortez le seau à glace du compartiment congélateur et penchez-vous légèrement sur le support que vous allez servir. La glace se verse facilement dans le récipient de service.



7.2 Porte-œuf

Vous pouvez placer le porte-œuf sur la porte ou l'étagère du corps que vous souhaitez.

8 Entretien et nettoyage

Lisez d'abord les « Consignes de sécurité » !

Avant de nettoyer votre appareil, débranchez-le ou mettez hors tension le fusible auquel il est raccordé.

Ne placez pas vos mains, vos pieds ou des objets métalliques sous le réfrigérateur ou entre le réfrigérateur et le sol, pour quelque raison que ce soit. Il peut se coincer ou des bords tranchants peuvent provoquer des blessures.

- N'utilisez pas des objets pointus ou des produits de nettoyage abrasifs pour nettoyer l'appareil. Il ne faut pas utiliser de matériaux tels que des produits d'entretien ménager, du savon, des détergents, du gaz, de l'essence, un diluant, de l'alcool, de la cire, etc.
- La poussière doit être enlevée de la grille de ventilation située à l'arrière du produit au moins une fois par an (sans ouvrir le couvercle). Nettoyez l'appareil avec un chiffon humide.
- Veillez à ce que l'eau n'entre pas en contact avec le couvercle de la lampe et les autres pièces électriques.
- Nettoyez la porte avec un chiffon humide. Retirez tout le contenu pour enlever la porte et les supports de carrosserie. Retirez les supports de porte en les sou-

levant vers le haut. Si le porte-œufs doit être placé sur l'étagère du corps, nous vous recommandons de choisir des étagères inférieures plus froides.

- Ne placez jamais le porte-œuf sur le compartiment congélateur..

7.3 Bac à légumes

Le bac à légumes du réfrigérateur est conçu pour conserver les légumes frais en préservant leur humidité. À cette fin, la circulation générale d'air froid est intensifiée dans le bac à légumes. Conservez les fruits et les légumes dans ce compartiment. Conservez séparément les légumes verts et les fruits pour prolonger leur durée de vie.

Nettoyez et séchez les étagères, puis refixez-les en les faisant glisser à partir du haut.

- N'utilisez pas d'eau chlorée ou de produits de nettoyage sur la surface extérieure et les pièces chromées de l'appareil. Le chlore entraîne la corrosion de ce type de surfaces métalliques.
- Il ne faut pas utiliser d'outils tranchants et abrasifs, de savon, de produits d'entretien ménager, de détergents, de gaz, d'essence, de vernis et de substances similaires pour empêcher la déformation de la pièce en plastique et l'élimination des empreintes sur la pièce. Utilisez de l'eau chaude et un chiffon doux pour le nettoyage, puis séchez-le.
- Sur les produits sans fonction antigel, des gouttes d'eau et du givre jusqu'à l'épaisseur d'un doigt peuvent apparaître sur la paroi arrière du compartiment congélateur. Ne nettoyez pas et n'appliquez jamais d'huiles ou de produits similaires.
- Utilisez un chiffon en microfibres légèrement humidifié pour nettoyer la surface extérieure du produit. Les éponges et autres types de vêtements de nettoyage peuvent provoquer des éraflures.

- Afin de nettoyer tous les composants amovibles pendant le nettoyage de la surface intérieure du produit, il faut laver ces composants avec une solution douce composée de savon, d'eau et de carbonate. Lavez et séchez soigneusement. Évitez le contact de l'eau avec les composants d'éclairage et le panneau de contrôle.
- N'utilisez pas de vinaigre, d'alcool à friction ni de produits nettoyants à base d'alcool sur les surfaces intérieures.

Surfaces extérieures en acier inoxydable

Utilisez un produit de nettoyage non abrasif pour l'acier inoxydable et appliquez-le avec un chiffon doux non pelucheux. Pour polir, essuyez doucement la surface avec un chiffon en microfibres humidifié à l'eau et utilisez une peau de chamois sèche. Suivez toujours les veines de l'acier inoxydable.

9 Dépannage

Lisez d'abord les « Consignes de sécurité » !

Vérifiez la liste suivante avant de contacter le service après-vente. Cela devrait vous éviter de perdre du temps et de l'argent. Cette liste répertorie les plaintes fréquentes ne provenant pas de vices de fabrication ou des défauts de pièces. Certaines fonctionnalités mentionnées dans ce manuel peuvent ne pas exister sur votre modèle. Si le problème persiste même après observation des instructions contenues dans cette partie, contactez votre fournisseur ou un service de maintenance agréé. N'essayez pas de réparer vous-même l'appareil.

Le réfrigérateur ne fonctionne pas.

- La fiche électrique n'est pas correctement insérée. >>> Branchez-la en l'enfonçant complètement dans la prise.
- Le fusible branché à la prise qui alimente l'appareil ou le fusible principal est grillé. >>> Vérifiez les fusibles.

Prévention des odeurs

À sa sortie d'usine, cet appareil ne contient aucun matériau odorant. Toutefois, le stockage inapproprié des aliments et le nettoyage incorrect des surfaces internes peuvent être à l'origine d'odeurs.

- Pour éviter cela, nettoyez l'intérieur à l'aide de carbonate dissout dans l'eau tous les 15 jours.
- Conservez les aliments dans des récipients scellés, car les micro-organismes provenant des aliments conservés dans des récipients non scellés provoquent une mauvaise odeur.
- Ne conservez pas d'aliments périmés ou avariés dans le réfrigérateur.

Protection des surfaces en plastique

Si de l'huile se répand sur les surfaces en plastique, il faut immédiatement les nettoyer avec de l'eau tiède, sinon elles seront endommagées.

Condensation sur la paroi latérale du congélateur (MULTI ZONE, COOL, CONTROL et FLEXI ZONE).

- La porte a été ouverte trop fréquemment >>> Évitez d'ouvrir trop fréquemment la porte de l'appareil.
- L'environnement est trop humide. >>> N'installez pas l'appareil dans des endroits humides.
- Les aliments contenant des liquides sont conservés dans des récipients non fermés. >>> Conservez ces aliments dans des emballages scellés.
- La porte de l'appareil est restée ouverte. >>> Ne laissez pas la porte de l'appareil ouverte longtemps.
- Le thermostat est réglé sur une température très froide. >>> Réglez le thermostat à la température appropriée.

Le compresseur ne fonctionne pas.

- En cas de coupure soudaine de courant ou de débranchement intempestif, la pression du gaz dans le système de réfrigération de l'appareil n'est pas équilibrée, ce qui déclenche la fonction de conservation thermique du compresseur. L'appa-

reil se remet en marche au bout de 6 minutes environ. Dans le cas contraire, veuillez contacter le service de maintenance.

- Le dégivrage est actif. >>> Ce processus est normal pour un appareil à dégivrage complètement automatique. Le dégivrage se déclenche périodiquement.
- L'appareil n'est pas branché. >>> Vérifiez que le cordon d'alimentation est branché.
- Le réglage de la température est incorrect. >>> Sélectionnez le réglage de température approprié.
- Absence d'énergie électrique. >>> L'appareil continuera à fonctionner normalement une fois le courant rétabli.

Le bruit du réfrigérateur en fonctionnement s'accroît pendant son utilisation.

- Le rendement de l'appareil en fonctionnement peut varier en fonction des fluctuations de la température ambiante. Ceci est normal et ne constitue pas un dysfonctionnement.

Le réfrigérateur fonctionne fréquemment ou pendant de longues périodes.

- Il se peut que le nouvel appareil soit plus grand que l'ancien. Les appareils plus grands fonctionnent plus longtemps.
- La température de la pièce est peut-être trop élevée. >>> Il est normal que l'appareil fonctionne plus longtemps quand la température de la pièce est élevée.
- L'appareil vient peut-être d'être branché ou chargé de nouvelles denrées alimentaires. >>> L'appareil met plus longtemps à atteindre la température réglée s'il vient d'être branché ou récemment rempli de denrées. C'est normal.
- Il est possible que des quantités importantes d'aliments chauds aient été récemment placées dans l'appareil. >>> Ne mettez pas d'aliments chauds à l'intérieur de l'appareil.
- Les portes étaient ouvertes fréquemment ou sont restées longtemps ouvertes. >>> L'air chaud qui se déplace à l'intérieur

permet à l'appareil de fonctionner plus longtemps. N'ouvrez pas les portes trop fréquemment.

- Il est possible que la porte du congélateur soit entrouverte. >>> Vérifiez que les portes sont complètement fermées.
- L'appareil peut être réglé à une température trop basse. >>> Réglez la température à un degré supérieur et attendez que l'appareil atteigne la nouvelle température.
- Le joint de la porte du congélateur peut être sale, usé, cassé, ou mal positionné. >>> Nettoyez ou remplacez le joint d'étanchéité. Si le joint du congélateur est endommagé ou arraché, l'appareil prendra plus longtemps à conserver la température actuelle.

La température du congélateur est très basse, alors que celle du réfrigérateur est appropriée.

- La température du compartiment congélateur est très basse. >>> Réglez la température du compartiment congélateur à un degré supérieur et vérifiez à nouveau.

La température du réfrigérateur est très basse, alors que celle du congélateur est appropriée.

- La température du compartiment réfrigérateur est très basse. >>> Réglez la température du compartiment de refroidissement à un degré supérieur et vérifiez à nouveau.

Les aliments conservés dans le compartiment réfrigérateur sont congelés.

- La température du compartiment réfrigérateur est très basse. >>> Réglez la température du compartiment de refroidissement à un degré supérieur et vérifiez à nouveau.

La température du compartiment réfrigérateur ou congélateur est très élevée.

- La température du compartiment réfrigérateur est réglée à un degré très élevé. >>> Le réglage de la température du compartiment réfrigérateur a une incidence sur la température du compartiment

congélateur. Attendez jusqu'à ce que la température des pièces correspondantes atteigne le niveau d'efficacité requis en changeant la température des compartiments réfrigérateur ou congélateur.

- Les portes étaient ouvertes fréquemment ou sont restées longtemps ouvertes. >>> N'ouvrez pas les portes trop fréquemment.
- La porte peut être entrouverte. >>> Fermez complètement la porte.
- L'appareil vient peut-être d'être branché ou chargé de nouvelles denrées alimentaires. >>> Cela est normal. L'appareil met plus longtemps à atteindre la température réglée s'il vient d'être branché ou récemment rempli de denrées.
- Il est possible que des quantités importantes d'aliments chauds aient été récemment placées dans l'appareil. >>> Ne mettez pas d'aliments chauds à l'intérieur de l'appareil.

En cas de vibrations ou de bruits.

- La surface n'est pas plate ou durable >>> Si l'appareil balance lorsqu'il est déplacé doucement, ajustez les supports afin de le remettre en équilibre. Assurez-vous également que le sol est assez solide pour supporter l'appareil.
- Les éléments placés sur l'appareil peuvent être à l'origine du bruit. >>> Retirez tous les éléments placés sur l'appareil.
- L'appareil émet un bruit d'écoulement de liquide ou de pulvérisation, etc.
- Les principes de fonctionnement de l'appareil impliquent des écoulements de liquides et des émissions de gaz. >>> Ceci est normal et ne constitue pas un dysfonctionnement.

L'appareil émet un sifflement.

- L'appareil effectue le refroidissement à l'aide d'un ventilateur. Ceci est normal et ne constitue pas un dysfonctionnement.

Il y a de la condensation sur les parois internes de l'appareil.

- Un climat chaud ou humide accélère le processus de givrage et de condensation. Ceci est normal et ne constitue pas un dysfonctionnement.
- Les portes étaient ouvertes fréquemment ou sont restées longtemps ouvertes. >>> N'ouvrez pas les portes trop fréquemment ; fermez-les lorsqu'elles sont ouvertes.
- La porte peut être entrouverte. >>> Fermez complètement la porte.

Il y a de la condensation sur les parois externes ou entre les portes de l'appareil.

- Il se peut que le climat ambiant soit humide, auquel cas cela est normal. >>> La condensation se dissipera lorsque l'humidité sera réduite.

Présence d'une odeur désagréable dans l'appareil.

- L'appareil n'est pas nettoyé régulièrement. >>> Nettoyez régulièrement l'intérieur à l'aide d'une éponge, de l'eau tiède et du carbonate dissout dans l'eau.
- Certains récipients et matériaux d'emballage sont peut-être à l'origine des mauvaises odeurs. >>> Utilisez des récipients et des emballages exempts de toute odeur.
- Les aliments étaient placés dans des récipients ouverts. >>> Conservez les aliments dans des récipients fermés. Les micro-organismes peuvent se propager à partir de produits alimentaires non scellés et provoquer une mauvaise odeur.
- Retirez tous les aliments périmés ou avariés de l'appareil.

La porte ne se ferme pas.

- Les paquets d'aliments peuvent bloquer la porte. >>> Déplacez tout ce qui bloque les portes.
- L'appareil ne se tient pas parfaitement droit sur le sol. >>> Ajustez les supports afin de remettre l'appareil en équilibre.

- La surface n'est pas plane ou durable >>> Assurez-vous que la surface est plane et suffisamment durable pour supporter le produit.

Le bac à légumes est bloqué.

- Il est possible que les aliments soient en contact avec la section supérieure du bac. >>> Reclassez les aliments dans le bac.

Température à la surface de l'appareil.

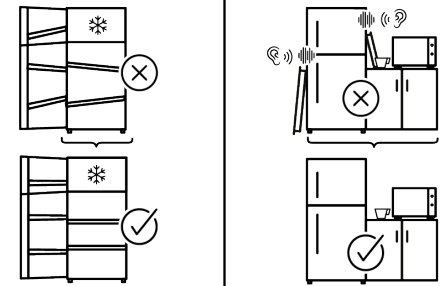
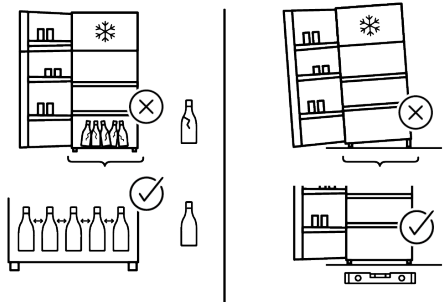
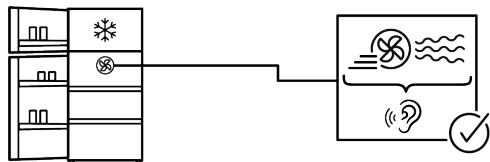
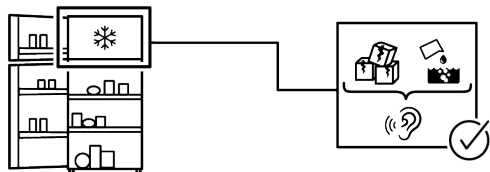
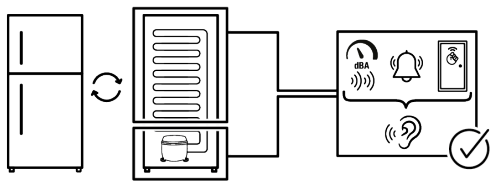
- Une température élevée peut être observée entre deux portes, sur les panneaux latéraux et sur la zone du gril arrière

lorsque votre appareil est utilisé. C'est normal et cela ne nécessite pas d'entretien.

Le ventilateur continue de fonctionner lorsque la porte est ouverte.

- Le ventilateur peut continuer à fonctionner lorsque la porte du congélateur est ouverte.

Si le problème persiste même après observation des instructions contenues dans cette partie, contactez votre fournisseur ou un service de maintenance agréé. N'essayez pas de réparer vous-même l'appareil. C'est normal.



يرجى قراءة دليل المستخدم هذا أولاً.

عملينا العزيز،

نشكرك على اختيارك هذا المنتج .

يرجى تسجيل منتجك على www.register10.eu

تتمنى أن تصل إلى الكفاءة المثلى من هذا المنتج عالي الجودة الذي تم تصنيعه بأحدث التقنيات. للقيام بذلك ،
اقرأ هذا الدليل بعناية وأية وثائق أخرى مقدمة قبل استخدام المنتج.

انتبه إلى جميع المعلومات والتحذيرات الموجودة في دليل المستخدم. بهذه الطريقة ، ستحمي نفسك ومنتجك
من الأخطار التي قد تحدث. احتفظ بدليل المستخدم. قم بتضمين هذا الدليل مع المنتج إذا قمت بتسليمه إلى
شخص آخر.

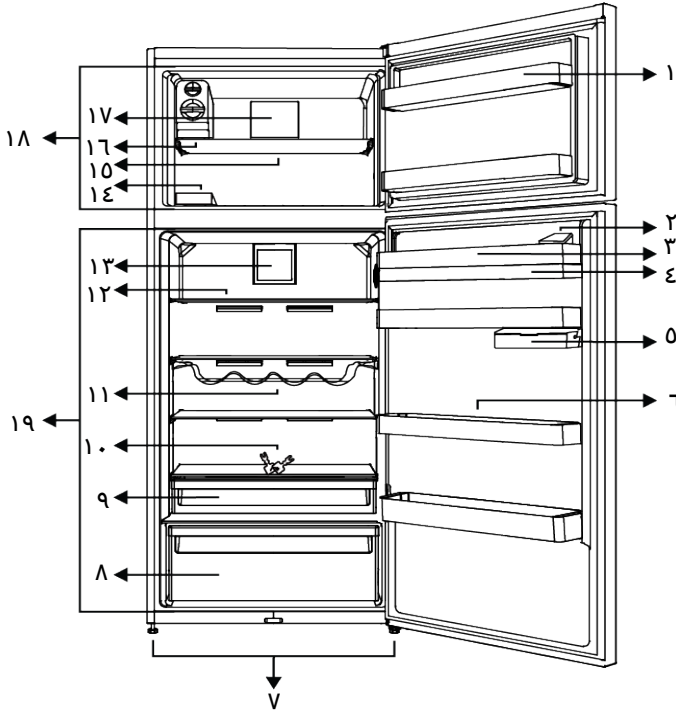
يتم استخدام الرموز التالية في دليل المستخدم وعلى المنتج:

اقرأ دليل المستخدم.



لذلك يجب التخلص من الأجزاء المختلفة من مواد التغليف بشكل مسؤول، والامتثال الكامل للوائح السلطة المحلية التي تحدد كيفية التخلص من النفايات.

١-١ التخلص من مواد التعبئة والتغليف
مواد التغليف قابلة لإعادة التدوير بنسبة و يوجد عليها رمز إعادة التدوير.



- | | |
|--------------------------------|------------------------------|
| ٢ * خزان تعبئة موزع المياه | ١ * رف باب مقصورة المجمد |
| ٤ * خزان موزع المياه | ٣ * رف باب حجرة المبرد |
| ٦ * رف الباب المتحرك | ٥ * حاوية تخزين تحت رف الباب |
| ٨ * رف الخضروات | ٧ الأرجل القابلة للتعديل |
| ١٠ * القفل والمفتاح | ٩ * حجرة درجة الصفر |
| ١٢ * الرف الزجاجي لحجرة المبرد | ١١ * رف الزجاجات |
| ١٤ * حاوية الثلج | ١٣ مروحة |
| ١٦ * سعة صناعة الثلج | ١٥ رف مقصورة المجمد |
| ١٨ مقصورة المجمد | ١٧ مروحة |
| | ١٩ حجرة المبرد |

***اختياري:** إن الأشكال المذكورة في دليل المستخدم هذا هي تخطيطه وقد لا تتطابق مع جهازك تماما. إذا كان جهازك لا يشتمل على الأجزاء ذات الصلة، فإن المعلومات تعود لطراز أخرى.

٣ التركيب

اقرأ "تعليمات الأمان" أولاً!

١-٣ المكان المناسب للتركيب

اتصل بخدمة الصيانة المعتمدة من أجل تركيب الجهاز. لإعداد الجهاز للتركيب، انظر المعلومات في دليل المستخدم وتأكد أن منافع الكهرباء والماء كما هو مطلوب. إذا لم يكن الأمر كذلك، فاتصل بفني كهربائي وسباك مؤهل لترتيب المرافق حسب الضرورة.

- ضع الجهاز على سطح منبسط لتجنب الاهتزاز
- ضع الجهاز على بعد 30 سم على الأقل من المدفأة والموقد مصادر الحرارة الأخرى و50 سم على الأقل من الأفران الكهربائية.
- عند وضع مبرد في موضع مجاور، اترك مسافة 4 سم على الأقل بين الوحدتين.
- احفظ المنتج بعيداً عن أشعة الشمس المباشرة وفي مكان جاف.
- يتطلب المنتج الخاص بك توزيع الهواء بصورة كافية حتى يعمل بكفاءة. إذا كنت ستضع الجهاز في تجويف بالجدار، فتذكر ترك خلوص لا يقل عن 5 سم بين الجهاز وكل من السقف والجدار الخلفي والجدران الجانبية.
- تأكد أن مكوّن الحماية الخاص بالخلوص بين الجهاز والجدار الخلفي موجود في مكانه (إذا كان مزوداً مع المنتج).
- في حالة عدم توفر المكون المشار إليه أعلاه، أو في حالة فقدانه أو سقوطه، ضع الجهاز مع ترك خلوص لا يقل عن 5 سم بين السطح الخلفي للجهاز وجدار الغرفة. الخلوص في خلفية الجهاز مهم لتشغيل الجهاز بكفاءة.

٢-٣ التوصيلات الكهربائية

لا تستخدم كابلات التحويل أو المقابس المتعددة في توصيل الطاقة.



يجب استبدال كبل الطاقة التالف بواسطة خدمة الصيانة المعتمدة.



عند وضع مبردين في موضع مجاور، اترك مسافة 4 سم على الأقل بين الوحدتين.



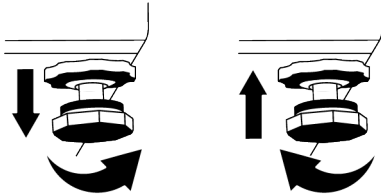
قبل النقل أو الاستخدام، لا تفتح أبداً غطاء لوحة التحكم الموجود على المنتج. خطر حدوث صدمة كهربائية وحرق!



- لا تتحمل شركتنا المسؤولية عن أية أضرار بسبب الاستعمال بدون تأريض وبدون توصيل الطاقة طبقاً للأنظمة المحلية.
- يجب أن يكون قابس كبل الطاقة سهل الوصول بعد التركيب.
- لا تستخدم قابساً متعدد المجموعات مع أو بدون كابل تمديد بين مقبس الحائط والثلاجة.

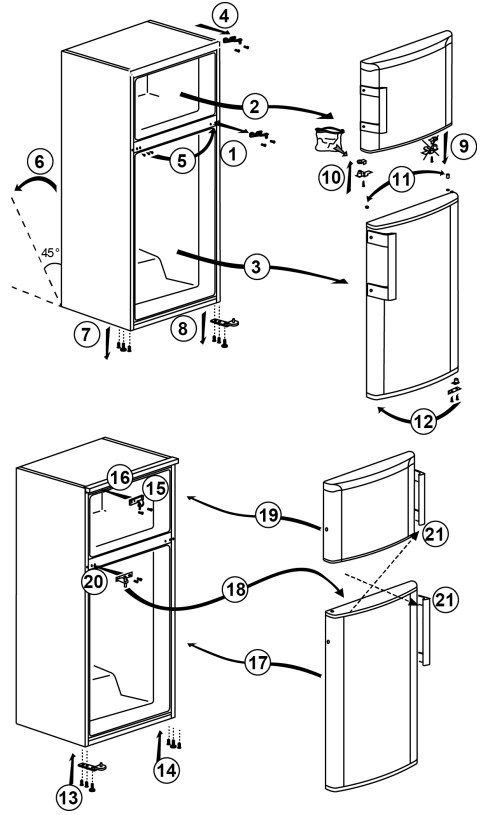
٣-٣ ضبط أقدام المنتج

إن لم يكن الجهاز في وضع متوازن، اضبط الأقدام الأمامية القابلة للتعديل بإدارتها إلى اليمين أو اليسار.



٤-٣ تحذير سطح ساخن

تم تجهيز الجدران الجانبية لمنتجك بأنايب تبريد لتعزيز نظام التبريد. قد يتدفق السائل ذو الضغط المرتفع عبر هذه الأسطح، وبسبب سخونة للأسطح على الجدران الجانبية. هذا أمر طبيعي ولا يتطلب صيانة.



٥ الإعداد

اقرأ "تعليمات الأمان" أولاً!

١-٥ إجراءات توفير الطاقة

- في حالة وجود خيارات متعددة، يجب وضع أرفف زجاجية بحيث لا يتم سد منافذ الهواء الموجودة في الجدار الخلفي، ويفضل بحيث تبقى منافذ الهواء أسفل الرف الزجاجي. قد يساعد هذا المزيج في تحسين توزيع الهواء وكفاءة الطاقة.
- يجب تخزين الطعام باستخدام الأدراج في حجرة المبرد لضمان توفير الطاقة وحماية الطعام في ظروف أفضل.

٢-٥ الاستخدام لأول مرة

- قبل استخدام منتجك، تأكد من إجراء الإعدادات الضرورية انسجاماً مع التعليمات المذكورة في أقسام "تعليمات السلامة" و"التركيب".
- انتظر لمدة ساعتين على الأقل قبل تشغيل المنتج، لضمان كفاءة التبريد الكاملة.

- جهاز التبريد هذا غير مخصص للاستخدام كجهاز مدمج؛
- عند وضع الطعام، اترك مساحة كافية داخل التلاجة للسماح بدوران الهواء الكافي للتبريد.
- نظراً لأن الهواء الساخن والرطب لن يتغلغل بشكل مباشر في منتجك عند عدم فتح الأبواب، فإن منتجك سيحسن نفسه في ظروف كافية لحماية طعامك. في ظل هذه الظروف، ستعمل الوظائف والمكونات مثل الضاغط، والمروحة، والسخان، وخاصة إزالة الصقيع، والإضاءة، والشاشة، وما إلى ذلك، وفقاً للاحتياجات من خلال استهلاك الحد الأدنى من الطاقة.

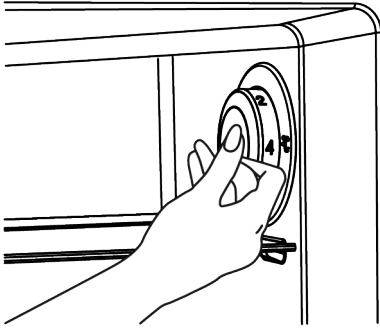
٣-٥ فئة المناخ والتعاريف

يرجى الرجوع إلى فئة المناخ على لوحة التصنيف الخاصة بجهازك. تنطبق إحدى المعلومات التالية على جهازك وفقاً لفئة المناخ.

- SN: المناخ المعتدل على المدى الطويل: تم تصميم جهاز هذا للاستخدام في درجات حرارة محيطية تتراوح بين 10 درجة مئوية و 32 درجة مئوية.
- N: المناخ المعتدل: تم تصميم جهاز هذا للاستخدام في درجات حرارة محيطية تتراوح بين 16 درجة مئوية و 32 درجة مئوية.
- ST: المناخ شبه الاستوائي: تم تصميم جهاز هذا للاستخدام في درجات حرارة محيطية تتراوح بين 16 درجة مئوية و 38 درجة مئوية.
- T: المناخ الاستوائي: تم تصميم جهاز هذا للاستخدام في درجات حرارة محيطية تتراوح بين 16 درجة مئوية و 43 درجة مئوية.

- يجب أن يظل المنتج قيد التشغيل دون وضع أي طعام بداخله لمدة 6 ساعات ويجب إبقاء باب المنتج مغلقاً قدر الإمكان.
- قد يؤدي تغيير درجة الحرارة الناجم عن فتح وإغلاق الباب أثناء استخدام المنتج عادةً إلى تشكل تكاثف على أرفف الباب / الهيكل والأواني الزجاجية الموضوعية في المنتج.
- يمكن سماع صوت عندما يعمل الضاغط. من الطبيعي أن يُصدر المنتج ضوضاء حتى في حالة عدم تشغيل الضاغط، حيث قد يتم ضغط السوائل والغاز في نظام التبريد.
- ومن الطبيعي أن تكون الحواف الأمامية للمنتج ساخنة. صُممت هذه الأجزاء لرفع درجة الحرارة لمنع التكاثف
- في بعض الطرازات، تتوقف لوحة المؤشر عن العمل تلقائياً بعد مرور 1 دقائق على غلق الباب. سيتم إعادة تنشيطها مرة أخرى عند فتح الباب أو عند الضغط على أي زر.

٦ استخدام المنتج



تتغير درجة الحرارة الداخلية لتلاجتك للأسباب المذكورة أدناه:

- درجات الحرارة خلال الموسم،
 - كثرة فتح الباب وتركه مفتوحاً لفترة طويلة؛
 - الأطعمة التي توضع في الثلاجة في حالة ساخنة دون أن تتخفف لدرجة حرارة الغرفة،
 - موقع الثلاجة في الغرفة (مثل التعرض لحرارة الشمس)
- يمكنك ضبط درجة الحرارة الداخلية التي تتغير نتيجة لهذه الأسباب عن طريق مقبض الضبط.

اقرأ قسم "تعليمات الأمان" أولاً!



١-٦ استخدام المنتج

زر ضبط درجة الحرارة

- اقرأ "تعليمات الأمان" أولاً.
- إن الوظائف المعروضة اختيارية، فقد توجد اختلافات في الشكل والموقع في الوظائف الموجودة على لوحة مؤشر جهازك.
- ستساعدك الوظائف الصوتية والبصرية للوحة المؤشرات على استخدام الثلاجة.

- ضع الوجبات الساخنة في درجة حرارة الغرفة قبل وضعها في مقصورة المجمد.
- يجب تقسيم الأطعمة المراد تجميدها إلى حصص حسب الكمية المراد استهلاكها، مع تجميدها في عبوات منفصلة.
- يوصى بتعبئة الأطعمة قبل وضعها في المجمد.
- من أجل منع انتهاء صلاحية وقت التخزين، اكتب تاريخ التجميد ووقته واسم المنتج على العبوة وفقاً لأوقات تخزين الأطعمة المختلفة.
- استهلك الأطعمة التي قمت بإذابتها بسرعة. لا يمكن تجميد الأطعمة التي تم إذابتها مرة أخرى إلا إذا تم طهيها. ليس من الآمن تناول الأطعمة الطازجة المجمدة دون طهيها بعد إذابتها.
- أثناء تجميد الأطعمة الطازجة، لا تجعلها تلامس مع الأطعمة المجمدة بالفعل. بخلاف ذلك، سيتم إذابة الأطعمة المجمدة.

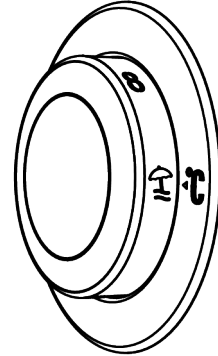
تخزين الأطعمة المباعة مجمدة

- اتبع دائماً تعليمات المنتج فيما يتعلق بالوقت الذي يُطلب منك خلاله تخزين الأطعمة الخاصة بك. لا تفرط في الوقت المحدد في هذه التعليمات!
- من أجل حماية جودة الطعام، حافظ على الفاصل الزمني بين معاملة الشراء والتخزين قصيراً قدر الإمكان.
- اشترى الأطعمة المجمدة التي يتم تخزينها في -18 درجة مئوية أو درجات حرارة منخفضة.
- تجنب شراء الأطعمة التي تكون عبواتها مغطاة بالتلج وما إلى ذلك، وهذا يعني أنه يمكن إذابة المنتج جزئياً وإعادة تجميده. تؤثر درجة الحرارة على جودة الطعام.
- لا تفرط في وقت التخزين الذي أوصى به منتج الطعام. قم بإزالة الطعام بالقدر الذي تحتاجه فقط من المجمد.
- باستثناء الحالات التي تتوفر فيها ظروف بيئية شديدة، إذا تم ضبط منتجك (في جدول القيم المحددة الموصى بها) على القيم المحددة المحددة، فإن الطعام يحافظ على نضارته لفترة أطول في كل من حجرة المنتج الطازج ومقصورة المجمد.
- إذا تم ضبط حجرة الطعام الطازج على درجة حرارة منخفضة، فقد يتم تجميد الفواكه والخضروات الطازجة جزئياً.

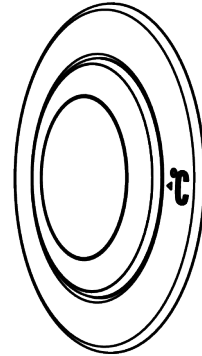
توضع الأرقام حول مقبض الضبط درجات الحرارة على أنها "درجة مئوية".
إذا كانت درجة الحرارة المحيطة 25 درجة مئوية، فمن المستحسن استخدام مقبض ضبط درجة الحرارة في الثلاثة عند 4 درجات مئوية، وفي درجات الحرارة المحيطة الأخرى، يمكن زيادة هذه القيمة أو تقليصها وفقاً للاحتياجات.

وظيفة العطلة

سيتم تنشيط وضع العطلة عند تحويل الأنبوب إلى وظيفة العطلة.
لإلغاء الوظيفة، يجب تغيير إعداد المقبض.
يوصى بعدم تخزين الطعام في حجرة المبرد عندما تكون وظيفة العطلة نشطة.



بعد الانتهاء من الضبط، يمكنك إخفاء مقبض ضبط درجة الحرارة عن طريق دفع المقبض للداخل.



٢-٦ تخزين الطعام في حجرة المجمد والمبرد

تخزين الطعام في مقصورة المجمد

- يمكنك تنشيط وظيفة التجميد السريع قبل 4-6 ساعات من وظيفة التجميد وإجراء تبريد أسرع.

جدول القيم الموصى بها

تفاصيل المجمد

وفقاً لمعايير IEC 62552، يجب أن يتمتع المجمد بالقدرة على تجميد 4.5 كجم من المواد الغذائية عند 18- درجة مئوية أو درجات حرارة منخفضة عند درجة حرارة الغرفة 25 درجة مئوية خلال 24 ساعة لكل 100 لتر من حجم حجرة التجميد.

يمكن الاحتفاظ بالأطعمة لفترات طويلة عند درجة حرارة 18- أو أقل.

يمكنك المحافظة على نضارة الأطعمة لعدة أشهر (في المجمد أو تحت درجة - 18 مئوية).

يجب أن لا تتلامس الأطعمة المراد تجميدها مع الأطعمة المجمدة سلفاً في الداخل لتجنب الذوبان الجزئي.

اسلق الخضار ونقي الماء لإزالة زمن تخزين المجمدات. ضع الطعام في أغلفة مانعة للهواء بعد التنقية وخرزنها في المجمد. يجب عدم تجميد الموز، الطماطم، الخس، الكرفس، البيض المسلوقة، البطاطا والأطعمة المماثلة. في حالة تجميد هذه الأطعمة، ستأثر القيم الغذائية ونوعية الأكل سلباً فقط. والتعفن الذي من شأنه أن يهدد صحة الإنسان ليس موضع تساؤل.

وضع الطعام

أرفف مقصورة المجمد: الأصناف المجمدة المختلفة بما يشمل اللحم، السمك، الأيس كريم، الخضار، الخ.

أرفف مقصورة المبرد: أصناف الطعام داخل القصور، الأطباق المغطاة والعلب المغطاة، البيض (في علبة مغطاة)

أرفف باب مقصورة المبرد: الأطعمة والمشروبات الصغيرة والمعبأة

درجة الخضروات: الخضروات والفواكه

مقصورة الأطعمة الطازجة: الأطعمة اليومية (طعام الإفطار، اللحوم التي تستهلك خلال فترة قصيرة)

تخزين الطعام في مقصورة المبرد

- ترتفع درجات حرارة المقصورة بشكل بارز إذا تم فتح باب الحجرة وإغلاقه بشكل متكرر وظل مفتوحاً لفترة طويلة، فقد يؤدي ذلك إلى تقليل العمر الافتراضي للطعام وتلف الطعام.
- من أجل عدم إحداث تغييرات في الرائحة والمذاق، يجب تخزين الطعام في عبوات مغلقة.

- لا تخزن الكثير من الطعام الزائد في ثلاجتك. لتحقيق تبريد أفضل ومتجانس، ضع الطعام بشكل منفصل بحيث يمكن للهواء البارد أن يتجول فيه.
- قم بتوفير تدفق الهواء من خلال ترك مسافة بين الطعام والجدار الداخلي. إذا قمت بوضع الطعام على الحائط الخلفي، فقد يتجمد الطعام.
- أترك الوجبات الساخنة المطبوخة حتى تصل إلى درجة حرارة الغرفة قبل وضعها في الثلاجة. بعد ذلك، يمكنك وضع الوجبة الفاترة في الأرفف السفلية للثلاجة. لا تضع الوجبات الفاترة بالقرب من الأطعمة التي قد تفسد بسهولة.
- قم بإذابة طعامك المجمد في حجرة الطعام الطازج. وبالتالي، يمكنك تبريد حجرة الطعام الطازج باستخدام الأطعمة المجمدة وتوفير الطاقة.
- قد يؤدي تخزين الفواكه الاستوائية غير الناضجة (المانجو وأصناف البطيخ والبابايا والموز والأناناس) في الثلاجة، إلى تسريع عملية النضج، ولا ينصح بذلك لأنه سيؤدي إلى تقليل وقت التخزين.
- يجب تخزين البصل والثوم والأصابع والخضروات الجذرية الأخرى في ظروف الغرفة المظلمة والباردة، وليس في الثلاجة.
- إذا لاحظت تلف الطعام في الثلاجة، فتخلص من هذا الطعام ونظف الملحقات التي لامست الطعام.
- من أجل تبريد وجبات الطعام مثل الحساء واليخات، والتي يتم طهيها في القدور الكبيرة، يمكنك بسرعة وضعها في الثلاجة عن طريق فصلها في أوانها الضحلة.
- لا تضع الأطعمة غير المعبأة بالقرب من البيض.
- احتفظ بالفواكه والخضروات بشكل منفصل وقم بتخزين كل نوع معاً (على سبيل المثال، تفاح مع تفاح وجزر مع جزر).
- أخرج الخضروات من الكيس البلاستيكي وضعها في الثلاجة بعد لفها بمنشفة ورقية أو قطعة قماش تجفيف. إذا قمت بغسل هذا النوع من الطعام قبل وضعه في الثلاجة، فتذكر أن تجففهم.
- يمكنك إنشاء بيئة رطبة وتوفير تدفق للهواء عن طريق الاحتفاظ بالفواكه والخضروات المعرضة للجفاف في الأكياس البلاستيكية المثقبة أو غير المغلقة.

المحددة، فإن الطعام يحافظ على نضارته لفترة أطول في كل من حجرة المنتج الطازج ومقصورة المجمد.

تخزين المواد الغذائية المختلفة في أماكن مختلفة حسب خصائصها.

الموقع	الطعام
أرفف الباب	البيض
إذا كانت متوفرة، حجرة الدرجة الصفر (لطعام الإفطار)	منتجات الألبان (الزبدة والجبن)
حجرة الفواكه والخضروات أو درج الخضروات أو مقصورة EverFresh+ (إذا وجدت)	الفواكه والخضروات والنباتات الخضراء
إذا كانت متوفرة، حجرة الدرجة الصفر (لطعام الإفطار)	اللحوم الطازجة والدواجن والأسماك والتفاح وما إلى ذلك الأطعمة المطبوخة
الأرفف العلوية أو رف الباب	الأطعمة الجاهزة للتقديم والمنتجات المعبأة والأطعمة المعلبة والمخللات
أرفف الباب	المشروبات والزجاجات والتوابل والوجبات الخفيفة

النسخة 2:

يتم إصدار تحذير فتح الباب، إذا ظل باب الجهاز مفتوحاً لفترة زمنية معينة (بين 60 ثانية و 120 ثانية). يُطلق تحذير فتح الباب تدريجياً. أولاً، يبدأ صوت تحذير مسموع. بعد 4 دقائق، إذا كان الباب لا يزال مفتوحاً، يتم تنشيط تحذير مرئي (وميض ضوئي). سيتأخر تحذير فتح الباب لفترة زمنية معينة (بين 60 ثانية و 120 ثانية) عند الضغط على أي مفتاح على شاشة المنتج، إن وجدت. ثم ستبدأ العملية مرة أخرى. سيتم إيقاف تحذير فتح الباب بمجرد إغلاق باب الجهاز.

٣-٦ تحذير فتح الباب

قد يختلف نظام تحذير فتح الباب في ثلاجتك تبعاً للطراز.

النسخة 1:

إذا ظل باب المنتج مفتوحاً لفترة معينة (بين 60 ثانية و 120 ثانية)، تصدر إشارة تحذير صوتية، اعتماداً على طراز المنتج، يمكن أيضاً عرض إشارة تحذير مرئية (وميض ضوئي). إذا أغلقت باب الجهاز أو ضغطت على أي زر على شاشة الجهاز، إن وجدت، فستتوقف صوت التحذير.

٧ مواصفات المنتج

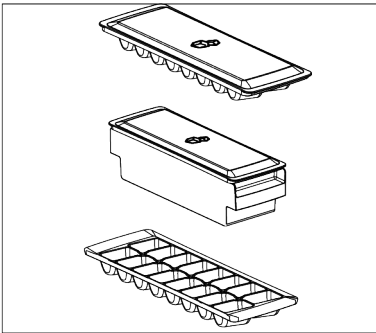
١-٧ منطقة تخزين الثلج

حاوية الثلج

تسمح لك علبه الثلج بأخذ الثلج من الثلاجة بسهولة.

استخدام علبه الثلج

1. أخرج علبه الثلج من مقصورة المجمد.
 2. املاً العلبه بالماء.
 3. ضع علبه الثلج في حجرة الثلج في حجرة المجمد. سيكون الثلج جاهزاً بعد ساعتين تقريباً.
 4. أخرج علبه الثلج من حجرة المجمد وقم بإمالاته قليلاً فوق الحامل الذي ستستخدمه للتقديم.
- سيسكب الثلج بسهولة في حامل التقديم.



٢-٧ حامل البيض

يمكنك وضع حامل البيض على الباب أو رف الجسم الذي تريده.

في حالة وضع حامل البيض على رف الهيكل، نوصيك باختبار أرفف سفلية أكثر برودة.
• لا تضع حامل البيض في حجرة الفريزر أبداً.

٣-٧ رف الخضروات

تم تصميم درج خضار التلاجة للحفاظ على الخضار طازجة من خلال المحافظة على الرطوبة. لهذه الغاية، يتم تكثيف التوزيع الكلي للماء البارد في درج الخضار. احتفظ بالفواكه والخضار في هذه الحجرة. احتفظ بالخضروات ذات الأوراق الخضراء والفواكه بشكل منفصل لإطالة عمرها.

٨ الصيانة والتنظيف

اقرأ "تعليمات الأمان" أولاً!

قبل تنظيف منتجك، افضلها عن الكهرباء أو قم بإلغاء تنشيط المصهر المتصل بها.

لا تضع يديك أو قدميك أو أي أشياء معدنية تحت التلاجة أو بين التلاجة والأرضية لأي سبب كان. فقد يحدث سحق ليديك أو قد تتسبب أي حافة حادة في حدوث إصابات شخصية.

• لا تستخدم أدوات حادة أو كاشطة لتنظيف المنتج. لا تستخدم مواد مثل مواد التنظيف المنزلية والصابون والمنظفات والغاز والبنزين والكحول والشمع وما إلى ذلك.

• يجب إزالة الغبار من شبكة التهوية الموجودة في الجزء الخلفي من المنتج مرة واحدة في السنة على الأقل (بدون فتح الغطاء). نظف المنتج بقطعة قماش جافة

• احرص على إبعاد الماء عن غطاء المصباح والأجزاء الكهربائية الأخرى.

• نظف الباب بقطعة قماش رطبة. قم بإزالة جميع المحتويات لإزالة الباب ورفوف الهيكل. قم بإزالة رفوف الباب برفعها لأعلى. نظف الرفوف وجففها، ثم ركبها في مكانها ثانية بتمريرها من الأعلى.

• لا تستخدم الماء المحتوي على الكلور أو منتجات التنظيف على السطح الخارجي والأجزاء المطلية بالكروم من الجهاز. يسبب الكلور الصدأ على هذه الأسطح المعدنية.

• لا تستخدم الأدوات الحادة والكاشطة والصابون ومواد تنظيف المنزل والمنظفات والغاز والبنزين والورنيش والمواد المماثلة لمنع تشوه الجزء البلاستيكي وإزالة المطبوعات الموجودة عليه. استخدم الماء الدافئ وقماسة ناعمة للتنظيف ثم جفف الجهاز.

- بالنسبة للمنتجات التي لا تحتوي على ميزة تبريد مصاد للصقيع No-Frost ، قد تظهر قطرات الماء وتلج بسمك الإصبع على الجدار الخلفي لمقصورة المبرد. لا تنظف ، ولا تستخدم الزيوت أو المواد الشاهية.
- استخدم فقط قطعة قماش من الألياف الدقيقة مبللة قليلاً لتنظيف السطح الخارجي للمنتج. قد تسبب الإسفنج وأنواع تنظيف الملابس الأخرى خدوشاً.
- لتنظيف جميع المكونات القابلة للإزالة أثناء تنظيف السطح الداخلي للمنتج ، اغسل هذه المكونات بمحلول معتدل يتكون من الصابون والماء والكربونات. اشطفه وجففه كلياً. امنع ملامسة الماء لمكونات الإضاءة ولوحة التحكم.
- لا تستخدم الخل أو الكحول المحمر أو مواد التنظيف الأخرى التي تحتوي على الكحول على أي سطح داخلي.

الأسطح الخارجية من الفولاذ المقاوم للصدأ

استخدم مادة تنظيف غير كاشطة مصنوعة من الفولاذ المقاوم للصدأ وقم بتطبيقها بقطعة قماش ناعمة وخالية من النسالة. للتلميع، امسح السطح برفق بقطعة قماش من الألياف الدقيقة مبللة بالماء واستخدم قطعة قماش شمواه جافة للتلميع. اتبع دائماً اتجاه عروق الفولاذ المقاوم للصدأ.

منع الروائح

تم تصنيع المنتج من مواد خالية من الروائح. ومع ذلك، فإن تخزين الطعام بشكل غير مناسب والتنظيف غير المناسب للأسطح الداخلية قد يؤدي إلى ظهور الروائح.

- لتجنب ذلك، نظف الجزء الداخلي بماء مكرين كل 15 يوماً.

حماية الأسطح البلاستيكية

قد يتلف الزيت المنسكب على الأسطح البلاستيكية السطح، لذا يجب تنظيفه بالماء الساخن فوراً.

- احتفظ بالأطعمة في حوامل مغلقة، لأن الكائنات الحية الدقيقة الناتجة عن الأطعمة المحفوظة في عبوات غير محكمة الغلق تسبب رائحة كريهة.
- لا تترك الأطعمة التالفة ومنتهية الصلاحية في الثلاجة.

٩ استكشاف الأخطاء وإصلاحها

اقرأ "تعليمات الأمان" أولاً!

- غير متوازن، مما يفعل الواقي الحراري للضاغط.
- يعمل المنتج من جديد بعد 6 دقائق تقريباً. إذا لم يعمل الجهاز بعد هذه الفترة، اتصل بمركز الصيانة.
- إزالة الجليد غير نشطة. <<< هذا أمر طبيعي في جهاز مقاوم للصدأ. تتم إزالة الجليد دورياً.
- الجهاز غير موصول بالكهرباء. <<< تأكد أن سلك الطاقة موصول بالكهرباء.
- إعداد درجة الحرارة غير صحيح. <<< اختر إعداداً صحيحاً لدرجة الحرارة.
- لا يوجد تيار كهربائي. <<< يستمر الجهاز بالعمل بشكل طبيعي حال عودة الطاقة.

يزداد ضجيج تشغيل الثلاجة أثناء الاستعمال.

- وقد يتباين أداء عمل الجهاز بناءً على تغيرات درجة حرارة المكان. هذا أمر طبيعي ولا يعتبر عطلاً.

تعمل الثلاجة لفترة زمنية طويلة.

- ربما يكون المنتج الجديد أكبر من المنتج السابق.
- تعمل الأجهزة الأكبر فترات زمنية أطول.
- ربما تكون درجة حرارة الغرفة عالية. <<< يعمل الجهاز فترات طويلة في درجات الحرارة العالية.
- ربما تم توصيل الجهاز بالكهرباء مؤخراً أو تم وضع صنف طعام جديد داخله. <<< يستغرق الجهاز فترة أطول لبلوغ درجة الحرارة المعينة عند توصيله بالكهرباء حديثاً أو عند وضع صنف طعام جديد داخله. هذا أمر طبيعي.
- ربما تم وضع كميات كبيرة من الطعام الساخن في الجهاز مؤخراً. <<< لا تضع الطعام الساخن داخل الجهاز.
- تم فتح الأبواب كثيراً أو تركت مفتوحة لفترات طويلة. <<< يتسبب الهواء الساخن المتحرك في الداخل في عمل الجهاز فترة أطول. لا تفتح الأبواب كثيراً.
- ربما يكون باب المجمد أو المبرد موارباً. <<< تأكد أن الأبواب مغلقة كلياً.

- تحقق من هذه القائمة قبل الاتصال بمركز الصيانة. من شأن ذلك توفير الوقت والمال. تتضمن هذه القائمة الشكاوى غير المرتبطة بعيوب الصناعة أو المواد. وقد لا تنطبق سمات معينة مذكورة هنا على جهازك.
- إن استمرت المشكلة بعد اتباع تعليمات هذا القسم، اتصل بالبائع أو بمركز خدمة معتمد. لا تحاول إصلاح الجهاز.

الثلاجة لا تعمل.

- قابس الطاقة غير مستقر كلياً. <<< ادفعه بحيث يستقر في المقبس كلياً.
- الصمام الموصول بالمقبس الذي يزود الجهاز بالطاقة أو الصمام الرئيسي تالف. <<< افحص الصمام.

هناك تكاثف على جانب جدار حجرة المبرد (المنطقة المتعددة، منطقة التبريد، التحكم والمنطقة المرنة).

- يتم فتح الباب بشكل متكرر. <<< احرص على عدم فتح باب المنتج كثيراً.
- المكان رطب جداً. <<< لا تضع الجهاز في أماكن رطبة.
- الأطعمة المحتوية على سوائل تحفظ في مستوعبات غير محكمة الإغلاق. <<< احتفظ بالأطعمة المحتوية على سوائل في مستوعبات محكمة الإغلاق.
- ترك الباب مفتوحاً. <<< لا تدع أبواب الثلاجة مفتوحة لفترات طويلة.
- تم ضبط منظم الحرارة على درجة حرارة باردة جداً. <<< اضبط الثرموستات على درجة حرارة مناسبة.

الضاغط لا يعمل.

- في حال حدوث انقطاع مفاجئ في التيار الكهربائي أو سحب قابس الطاقة وإعادته مرة أخرى، يصبح ضغط الغاز في نظام تبريد الجهاز

• ربما يكون الجهاز مضبوط على درجة حرارة متدنية جدا. <<< اضبط درجة الحرارة على درجة أعلى وانتظر حتى يصل الجهاز إلى درجة الحرارة المرغوبة.

• ربما تكون فلكة باب المبرد أو المجمد متسخة، أو مهترئة أو مكسورة أو غير مستقرة. <<< نظف أو استبدل مانع التسرب. تتسبب فلكة الباب الثالثة/ المهترئة في عمل الجهاز لفترات طويلة للحفاظ على درجة الحرارة الحالية.

درجة حرارة المجمد منخفضة جدا، لكن درجة حرارة المبرد ملائمة.

• تم ضبط درجة حرارة مقصورة المجمد على درجة متدنية جدا. <<< اضبط درجة حرارة مقصورة المجمد على درجة أعلى وافحص مرة أخرى.

درجة حرارة المبرد منخفضة جدا، لكن درجة حرارة المجمد ملائمة.

• تم ضبط درجة حرارة حجرة المبرد على درجة متدنية جدا. <<< اضبط درجة حرارة حجرة المبرد على درجة أعلى وافحص مرة أخرى.

الأطعمة المحفوظة في جوارير حجرة المبرد متجمدة.

• تم ضبط درجة حرارة حجرة المبرد على درجة متدنية جدا. <<< اضبط درجة حرارة حجرة المبرد على درجة أعلى وافحص مرة أخرى.

درجة الحرارة في المبرد أو المجمد عالية جدا.

• تم ضبط درجة حرارة حجرة المبرد على درجة عالية جدا. <<< يؤثر إعداد درجة حرارة حجرة المبرد على درجة حرارة مقصورة المجمد. انتظر حتى تصل الأجزاء ذات الصلة إلى مستوى درجة الحرارة المرغوبة عبر تغيير درجة حرارة مقصورة المجمد أو المبرد.

• تم فتح الأبواب كثيرا أو تركت مفتوحة لفترات طويلة. <<< لا تفتح الأبواب كثيرا.

• ربما يكون الباب مواربا. <<< أغلق الباب كليا.

• ربما تم توصيل الجهاز بالكهرباء مؤخرا أو تم وضع صنف طعام جديد داخله. <<< هذا أمر طبيعي. يستغرق الجهاز فترة أطول لبلوغ درجة الحرارة المعنية عند توصيله بالكهرباء حديثا أو عند وضع صنف طعام جديد داخله.

• ربما تم وضع كميات كبيرة من الطعام الساخن في الجهاز مؤخرا. <<< لا تضع الطعام الساخن داخل الجهاز.

الاهتزاز أو الضجيج.

• السطح ليس مسطحا أو متينا <<< إذا كان المنتج يهتز عند تحريكه ببطء، فاضبط الحامل لموازنة المنتج. تأكد أن الأرض متينة لدرجة تحمل الجهاز. قد تحدث أية مواد موضوعة على الجهاز ضجيجا. <<< قم بإزالة أية مواد وضعت على الجهاز. يصدر الجهاز ضجيجا يشبه تدفق السوائل، أو الرش، الخ.

• يتخلل مبادئ تشغيل الجهاز تدفق السائل والغاز. <<< هذا أمر طبيعي ولا يعتبر عطلا.

هناك صوت كهبوب الرياح يأتي من الجهاز.

• يستخدم الجهاز مروحة في عملية التبريد. هذا أمر طبيعي ولا يعتبر عطلا.

هناك تكاثف على الجدران الداخلية للجهاز.

• يزيد الطقس الحار أو الرطب من تشكل الصقيع والتكاثف. هذا أمر طبيعي ولا يعتبر عطلا. تم فتح الأبواب كثيرا أو تركت مفتوحة لفترات طويلة. <<< لا تفتح الأبواب كثيرا؛ إذا كانت مفتوحة، أغلقها.

• ربما يكون الباب مواربا. <<< أغلق الباب كليا.

هناك تكاثف على السطح الخارجي للجهاز أو بين الأبواب.

• ربما يكون جو المكان رطبا، وهذا أمر طبيعي في الجو الرطب. <<< سيبتدئ التكاثف عندما تقل الرطوبة.

رائحة الجزء الداخلي سيئة.

• لا يتم تنظيف الجهاز بانتظام. <<< نظف الجزء الداخلي بانتظام مستخدما إسفنجة وماء دافئ وماء مكرن.

• قد تتسبب بعض المستوعبات ومواد التغليف بالروائح. <<< استخدم المستوعبات ومواد التغليف الخالية من الروائح.

• تم وضع الطعام في مستوعبات غير محكمة الإغلاق. <<< احتفظ بالأطعمة في مستوعبات محكمة الإغلاق. قد تنتشر الميكروبات من الأطعمة غير المغلقة مسببة الروائح الكريهة.

• تخلص من أية أطعمة فاسدة أو متهيبة الصلاحية داخل الجهاز..

الباب لا يغلق.

- تسد أغلفة الطعام الباب أحيانا. <<< غير مكان الأطعمة التي تسد الأبواب.
- لا يقف الجهاز بوضع رأسي كامل على الأرض. <<< اضبط القواعد لموازنة الجهاز.
- السطح ليس مسطحاً أو متيناً <<< تأكد من أن السطح مسطح ومتين بدرجة كافية لتحمل المنتج.
- **درج الخضروات محشور.**
- ربما تلامس الأطعمة الجزء العلوي من الجارور. <<< أعد ترتيب الأطعمة في الجارور.

درجة الحرارة على سطح المنتج.

- يمكن ملاحظة ارتفاع درجة الحرارة بين البابين ، على الألواح الجانبية وعلى منطقة الشبكة الخلفية أثناء تشغيل المنتج. هذا أمر طبيعي ولا يتطلب صيانة.
- **تستمر المروحة في العمل عند فتح الباب.**
- قد تستمر المروحة في العمل عندما يكون باب المجمد مفتوحاً.
- إن استمرت المشكلة بعد اتباع تعليمات هذا القسم، اتصل بالبائع أو بمركز خدمة معتمد. لا تحاول إصلاح الجهاز. هذا أمر طبيعي.

