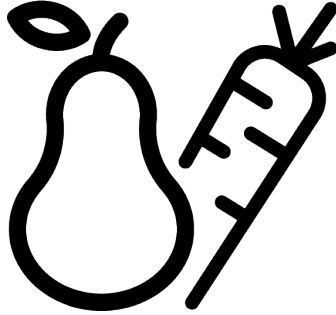


Whirlpool

Refrigerator

ثلاجة



WTMF 601351 WME

15 7550 0079/ EN/ AR/ AA/ 06.09.24 10:09
7282040218



الورق المُعاد تدويره
والقابل لإعادة التدوير



RECYCLED &
RECYCLABLE PAPER

Please read this manual first!






Dear Customer

Thank you for choosing this product. We would like you to achieve the optimal efficiency from this high quality product which has been manufactured with state of the art technology. To do this, carefully read this manual and any other documentation provided before using the product.

Heed all information and warnings in the user manual. This way, you will protect yourself and your product against the dangers that may occur. Keep the user manual. Include this manual with the product if you hand it over to someone else.

If you have any questions or concerns, please call our Customer Service Team or find help and information online at docs.whirlpool.eu

The following symbols are used in the user manual:

	Hazard that may result in death or injury.
	Important information or useful tips on operation.
NOTICE	A hazard that may cause material damage to the product or its surroundings
 SUPPLIER'S NAME MODEL IDENTIFIER → (*)  	The model information as stored in the product data base can be reached by entering following website and searching for your model identifier (*) found on energy label. https://eprel.ec.europa.eu/

	10 Troubleshooting	25
	11 DISCLAIMER / WARNING	28
<hr/>		
1	Safety Instructions	4
1.1	Intention of Use	4
1.2	Safety of Children, Vulnerable Persons and Pets	4
1.3	Electrical Safety	5
1.4	Handling Safety	6
1.5	Installation Safety	6
1.6	Operational Safety	9
1.7	Food Storage Safety	12
1.8	Maintenance and Cleaning Safety	12
1.9	Lighting	13
1.10	Disposal of the Old Product	13
2	Environmental Instructions	14
2.1	Compliance with the WEEE Dir- ective and Disposing of the Waste Product	14
3	Your Refrigerator	15
4	Installation	16
4.1	Right Place For Installation	16
4.2	Electrical Connection	16
4.3	Attaching the Plastic Wedges	16
4.4	Adjusting the Legs	17
4.5	Hot Surface Warning	17
5	Changing Door Direction	18
6	Preparation	18
6.1	What To Do For Energy Saving	18
6.2	First Use	19
6.3	Climate Class and Definitions	19
7	Using The Product	19
7.1	Temperature Adjustment Button..	20
7.2	Vacation Function	20
7.3	Shutting Down Your Product	20
7.4	Storing Food in the Freezer and Cooler Compartment	20
7.4.1	Freezing Fresh Foods	23
7.5	Door Open Alert	23
7.6	Replacing the Illumination Lamp..	23
8	Product Features	23
8.1	The ice storage area	23
8.2	Egg holder	24
8.3	Crisper	24
8.4	Dairy Products Cold Storage Area	24
9	Maintenance and Cleaning	24

1 Safety Instructions

- This section includes the safety instructions necessary to prevent the risk of personal injury or material damage.
- Our company shall not be held responsible for damages that may occur if these instructions are not observed.



Always have installation and repair operations performed by manufacturer, authorized service or a person who will be described by importer company.



Use original spare parts and accessories only.



Do not repair or replace any component of the product unless it is clearly specified in the user manual.



Do not perform any modifications on the product.

1.1 Intention of Use

- This product is not suitable for commercial use and should not be used for a purpose other than its intended use.
- This product is intended for operating interiors, such as households or similar.

For example;

In the staff kitchens of the stores, offices and other working environments,

In farm houses,
In the units of hotels, motels or other resting facilities that are used by the customers,
In hostels, or similar environments,
In catering services and similar non-retail applications.

- This product shall not be used in open or enclosed external environments such as vessels, camper vans, balconies or terraces. Exposing the product to rain, snow, sunlight and wind may cause risk of fire.



1.2 Safety of Children, Vulnerable Persons and Pets

- This product may be used by children aged 8 years and older and persons with underdeveloped physical, sensory or mental capabilities or lack of experience and knowledge if they are being supervised or have been given instruction concerning use of the appliance in a safe way and the hazards involved.
- Children between 3 and 8 years are allowed to put and take out food into/from the cooler product.

- Children and pets must not play with, climb on, or get inside the product.
- Children and pets must be kept away from the cabin area (compressor) where electrical parts are located.
- Cleaning and user maintenance must not be performed by children unless there is someone overseeing them.
- Keep the packaging materials away from children. Risk of injury and suffocation.
- If there is a lock available on the product's door, keep the key out of children's reach.
- not be bent, crushed, and come into contact with any heat source.
- Use an original cable only. Do not use cut or damaged cables.
- Do not use an extension cord, multi-plug or adaptor to operate your product.
- Portable multi-plugs or portable power supplies may overheat and cause fire. Thus, do not have a multi-plug, portable power sources behind or in the vicinity of the product.
- Before plugging the product into the power source, please remove the power cable from the condenser hook (if available) during the installation.

1.3 **Electrical Safety**

- The product shall not be plugged into the outlet during installation, maintenance, cleaning, repair, and transportation operations.
- If the power cable is damaged, it must be replaced by the person sent by the manufacturer, authorized service provider or the importer to prevent any potential danger.
- Do not tuck the power cable under the product or to the rear of the product. Do not put heavy items on the power cable. The power cable should
- The user should not be able to reach the electrical parts after installation.
- Do not plug the product's power cord in a loose or damaged power outlet. These types of connections may overheat and cause fire.
- The plug shall be easily accessible. If this is not possible, a mechanism that meets the electrical legislation and that disconnects all terminals from the mains (fuse, switch, main switch, etc.) shall be available on the electrical installation.

- The product must not be operated with an external switching device such as a timer, or a remote controlled system.
- Do not use the product when your feet are bare or your body is wet.
- Do not touch the plug with wet hands.
- When unplugging the appliance, don't hold the power cable, but the plug.
- Make sure that the plug is not wet, dirty or dusty.
- Do not ever connect your product to power saving devices. These systems are harmful for the product.

1.4 Handling Safety

- Make sure to unplug the appliance before carrying the product.
- This product is heavy, do not handle it by yourself. Injuries may occur if the product falls on you. Do not bump into places or drop the product while transporting it.
- Always close the doors and do not hold the product by its doors while transporting it.
- Be careful not to damage the cooling system and the pipes while handling the product. Do

not operate the product if the pipes are damaged, and contact an authorized service.

1.5 Installation Safety

- To prepare the product for use, see the information in the user and installation manual and make sure the electric and water utilities are as required. If not, call a qualified electrician and plumber to arrange the utilities as necessary.
- **Failure to do so may result in electric shock, fire, problems with the product, or injury.**
- Before starting the installation, switch off the fuse to de-energise the power line to which the product is connected.
- The product should be installed by two or more people. Use protective gloves while removing the product from the packaging and installation.
- This product is designed for use at a maximum altitude of 2000 metres above sea level.
- Keep children away from installation area.
- Check for any damage on the product before installing it. Do not have the product installed if it is damaged.

- Always use personal protective equipment (gloves, etc.) during product installation, maintenance and repair. Risk of injury.
- Do not install or leave the product in places where it may be exposed to external ambient temperatures.
- Place the product on a clean, level and hard surface and balance it with the adjustable legs (by rotating the front feet to the right or left). Otherwise, the refrigerator may tip over and cause injuries.
- Proceed with care to prevent causing any damage to the floors (tiling etc.) while moving the product. Install the product on a floor, or provide sufficient support depending on the size, weight and the use-case of the product. Ensure that the product is not near a heat source, and all four feet are stable and leaning against the floor. Install the product as necessary, and ensure that it is horizontal, using a bubble level. To ensure the complete efficiency of the refrigerant circuit, wait for at least two hours before operating the product.
- The product shall be installed in a dry and ventilated environment. Do not keep carpets, rugs or similar covers under the product. This may cause risk of fire as a result of inadequate ventilation!
- Do not block or cover ventilation holes. Otherwise, power consumption increases and your product may be damaged.
- Leave sufficient space by the sides and above to ensure adequate ventilation. The gap between the back panel and the wall behind the product must be a minimum of 50mm in order to prevent hot surfaces. Reducing this distance may increase the energy consumption of product.
- When placing the product, make sure that the supply cable is not damaged or pinched.
- The product must not be connected to supply systems and power sources which may cause sudden voltage changes (i.e. a portable solar-energy power source). Otherwise, damage to your product may occur as a result of the abrupt voltage fluctuations!
- The more refrigerant a refrigerator contains, the bigger its installation room shall be. In very small rooms, a flammable gas-air mixture may occur in case of a gas leak in the cooling system. At least 1 m³ of

volume is required for each 8 grams of refrigerant. The amount of the refrigerant available in your product is specified in the Type Label.

- The product must never be placed in such a way that power cables, the metal hose of the gas stove, metal gas or water pipes come into contact with the product's rear wall (or the condenser).
- The installation place of the product must not be exposed to direct sunlight and it shall not be in the vicinity of a heat source such as stoves, radiators, etc. If you cannot prevent installation of the product in the vicinity of a heat source, use a suitable insulation plate and make sure the minimum distance to the heat source is as specified below:
 - At least 30 cm away from heat sources such as stoves, ovens, heating units and heaters, etc.,
 - And at least 5 cm away from electrical ovens.
- Your product has the protection class of I.
- Plug the product in a grounded socket that conforms with the Voltage, Current and Frequency values specified in the type label. The socket must have a 10A – 16A fuse. Our firm will not assume responsibility for any damages due to usage without earthing and without power connection in compliance with local and national regulations.
- The product's power cable must be unplugged during installation. Otherwise, risk of electric shock and injury may occur!
- Do not plug the product to loose, broken, dirty, greasy sockets or sockets that have come out of their seats or sockets with a risk of water contact. These types of connections may overheat and cause fire..
- Place the power cable and hoses (if any) of the product so that they shall not cause a risk of tripping over.
- Penetration of humidity and liquid to live parts or to the power cord may cause short circuit. Thus, do not use the product in humid environments or in areas where water may splash (e.g. garage, laundry room, etc.) If the refrigerator is wet by water, unplug it and contact an authorized service.

- Do not ever connect your refrigerator to power saving devices. These systems are harmful for the product.
- There is a risk of contact with electrical parts when removing the electronic board cover and the compressor rear cover (if fitted). Do not remove the electronic board cover and the compressor rear cover (if fitted). There is a risk of electrocution!

1.6 Operational Safety

- Do not ever use chemical solvents on the product. These materials contain an explosion risk.
 - In case of a failure of the product, unplug it (or de-energise the fuse to which it is connected), and do not operate until it is repaired by the authorized service. There is a risk of electric shock!
 - Do not place flames (lighted candle, cigarette, etc.) or heat sources (iron, hob, oven, etc.) on or near the product. Do not place flammable/explosive materials near the product...
 - Do not get on the product. Risk of falling and injury!
 - Do not cause damage to the pipes of the cooling system using sharp and piercing tools.
- The refrigerant that sprays out in case of puncturing the gas pipes, pipe extensions or upper surface coatings may cause irritation of skin and injury to the eyes.
- Do not intervene in or damage the coolant circuit Risk of explosion.
 - Do not place and operate electrical appliances inside the refrigerator/freezer unless it is advised by the manufacturer.
 - Do not use any procedures other than those recommended by the manufacturer to speed up defrosting.
 - Take due care not to jam any parts of your hands or your body to the moving parts inside the product. Be careful to prevent jamming of your fingers between the refrigerator and its door. Be careful while opening or closing the door if there are children around.
 - Do not put ice cream, ice cubes or frozen food to your mouth as soon as you take them out of the freezer. Risk of frostbite!
 - Do not touch the inner walls, metal parts of the freezer or food kept inside the freezer with wet hands. Risk of frostbite!

- Do not place soda cans or cans and bottles that contain fluids that may be frozen to the freezer compartment. Cans or bottles may explode. Risk of injury and material damage!
- Do not use or place materials sensitive against temperature such as flammable sprays, flammable objects, dry ice or other chemical agents in the vicinity of the refrigerator. Risk of fire and explosion!
- Do not store explosive materials such as aerosol cans with flammable materials inside the product.
- Do not place cans containing fluids over the product an open state. Splashing of water on an electrical part may cause an electric shock or a fire.
- Due to risk of breaking, do not store glass containers with liquid inside in the freezer compartment.
- This product is not intended for storage and cooling of medicines, blood plasma, laboratory preparations or similar materials and products that are subject to the Medical Products Directive.
- If the product is used against its intended purpose, it may cause damage to or deterioration of the products stored inside.
- If your refrigerator is equipped with blue light, do not look at this light with optical devices. Do not stare directly at UV LED light for a long time. Ultraviolet rays may cause eye strain.
- Do not fill the product with more contents than its capacity. Do not use any procedures other than those recommended by the manufacturer to speed up defrosting. Injuries or damages may occur if the contents of the refrigerator fall when the door is opened. Similar problems may also occur when an object is placed over the product.
- Ensure that you have removed any ice or water that may have fallen to the floor to prevent injuries.
- Change the locations of the racks/bottle racks on the door of your refrigerator only when the racks are empty. Danger of injury!
- Do not place objects that may fall/tip over on the product. These objects may fall while

opening or closing the door and cause injuries and/or material damages.

- Do not hit or exert excessive pressure on glass surfaces. Broken glass may cause injuries and/or material damages.
 - For products designed to use an air filter inside an accessible fan cover, the filter must always be in position when the refrigerator is in function.
 - Do not block out the fan (if available) with food.
 - Damaged gaskets should be replaced as soon as possible.
 - Your product may have special compartments (Fresh Food Compartment, Zero Degrees Compartment etc.) Unless otherwise stated in the relevant manual of the product, these compartments can be removed, and the product can be used with the same performance.
 - The cooling system in your product contains R600a refrigerant. The refrigerant type used in the product is specified in the type label. This gas is flammable. Therefore, be careful not to damage the cooling system and the pipes while operating the product. In case of damage to the pipes;
 1. Do not touch the product or the power cable.
 2. Keep the product away from potential sources of fire that may cause the product to catch fire.
 3. Ventilate the area where the product is placed. Do not use a fan.
 4. Contact Authorized Service.
- Before disposing of old products that shall not be used any more:
1. Unplug the power cord from the mains socket.
 2. Cut the power cable and remove it from the appliance together with the plug.
 3. Do not remove the racks and drawers from the product to prevent children from getting inside the appliance.
 4. Remove the doors.
 5. Store the product so that it shall not be tipped over.
 6. Do not allow children to play with the scrapped product.
 7. If the product is damaged and you observe gas leak, please stay away from the gas. Gas may cause frostbite if it contacts your skin.
- Do not dispose of the product by throwing it into fire. Risk of explosion.
 - If there is a lock available on the product's door, keep the key out of children's reach.

1.7 Food Storage Safety

Please pay attention to the following warnings to avoid food spoilage:

- Leaving the doors open for a long time may cause the temperature inside the product to rise.
- Regularly clean the accessible drainage systems in contact with food.
- Clean the water tanks that have not been used for 48 hours and mains-fed water systems that have not been used for more than 5 days.
- Store raw meat and fish products in appropriate compartments within the product. Thus, it does not drip on or come into contact with other foods.
- Two-star freezer compartments are used for storing pre-filled foods, making and storing ice and ice cream.
- One, two and three-star compartments are not appropriate for freezing fresh food.
- If the cooling product has been left empty for a long time, turn off the product, defrost, clean, and dry the product in order to protect the housing of the product.

- After the foods are placed, check if the compartment hatches, and especially the freezer door, are properly closed.
- Use the refrigerator compartment for storing fresh foods, and the freezer compartment for storing frozen goods, freezing fresh foods and preparing ice cubes.
- Do not store foods without properly sealing them in the refrigerator and the freezer compartments, to prevent direct contact with the inner surfaces.

1.8 Maintenance and Cleaning Safety

- Unplug the refrigerator or de-energise the fuse before cleaning it or starting to perform maintenance.
- Do not pull by the door or door handle if you are going to move the product for cleaning purposes. The door may cause injuries if the handle is pulled too hard.
- Do not place hands, feet or metal objects under or behind your product. Jamming may occur or any sharp edge may cause personal injuries.

- Do not wash the inside or outside of the product with a pressure washer, steam, spray water or pouring water. Risk of electric shock and fire.
- When cleaning the product, do not use sharp and abrasive tools or household cleaning agents, detergent, gas, gasoline, thinner, alcohol, varnish, and similar substances. Use only cleaning and maintenance agents that are not harmful for food inside the product.
- Do not use paper towels, kitchen sponges or other hard cleaning materials.
- Do not ever use steam or steamed cleaning materials for cleaning the product and thawing the ice inside it. Steam contacts the live areas in your refrigerator and causes short circuit or electric shock.
- Do not use any mechanical tools or any other tools than the recommendations of the manufacturer to speed up the thawing operation.
- Take care to keep water away from the ventilation holes, electronic circuits or lighting of the product. Otherwise, risk of fire or electric shock may occur.
- Use a clean, dry cloth to wipe the dust or foreign material on the tips of the plugs. Do not use a wet or damp piece of cloth to clean the plug. Otherwise, risk of fire or electric shock may occur.

1.9 Lighting

Contact an authorized service when you shall replace the LED / bulb using for lighting.

1.10 Disposal of the Old Product

When disposing of your old product follow the instructions below:

- To prevent children from accidentally locking themselves into the product, if there is door lock, disable it.
- Splash of coolant is harmful to the eyes. Do not damage any part of the cooling system while disposing of the product.
- It may be fatal if the compressor oil is swallowed or if it penetrates the respiratory tract.
- Cooling system of your product includes R600a gas as specified in the type label. This gas is flammable. Do not dispose of the product by throwing it into fire. Risk of explosion!

- C -Pentane is used as a blowing agent in insulation foam and it is a flammable substance. Do not dispose of the product by throwing it into fire.

2 Environmental Instructions

2.1 Compliance with the WEEE Directive and Disposing of the Waste Product



This product complies with EU WEEE Directive (2012/19/EU). This product bears a classification symbol for waste electrical and electronic equipment (WEEE).

This symbol indicates that this product shall not be disposed with other household wastes at the end of its service life. Used device must be returned to official collection point for recycling of electrical and electronic devices. To find these collection systems please contact to your local authorities or retailer where the product was purchased. Each household performs important role in recovering and recycling of old appliance. Appropriate disposal of used appliance helps prevent potential negative consequences for the environment and human health.

Compliance with RoHS Directive

The product you have purchased complies with EU RoHS Directive (2011/65/EU). It does not contain harmful and prohibited materials specified in the Directive.



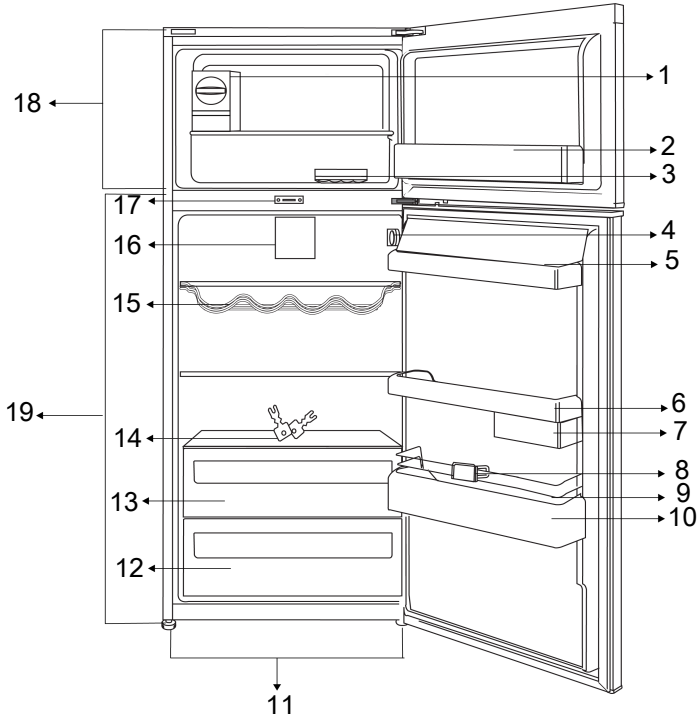
Package information

Packaging materials of the product are manufactured from recyclable materials in accordance with our National Environment Regulations. Do not dispose of the packaging materials together with the domestic or other wastes. Take them to the packaging material collection points designated by the local authorities.



Conformity with standards and test information / Declaration of EC conformity

Development, manufacture and sales stages of this product conform to the safety rules in all relevant guidelines of the European Community. 2014/35/EU, 2014/30/EU, 93/68/EC, IEC 60436/DIN 44990, EN 50242



- | | |
|---------------------------------|------------------------------------|
| 1 *Icematic | 2 Freezer compartment door shelf |
| 3 *Icebox | 4 Temperature adjustment button |
| 5 *Butter, cheese compartment | 6 *Cooler compartment door shelves |
| 7 *Slidable storage box | 8 *Bottle holder |
| 9 *Safety visor | 10 *Bottle shelf |
| 11 Adjustable legs | 12 *Crisper |
| 13 *Dairy (cold storage) drawer | 14 *Lock |
| 15 *Bottle shelf | 16 Fan |
| 17 *Lock | 18 Freezer compartment |
| 19 Cooler compartment | |

***Optional:** Figures in this user manual are schematic and may not exactly match your product. If your product does not comprise the relevant parts, the information pertains to other models.

4 Installation



Read the "Safety Instructions" section first!

4.1 Right Place For Installation

Contact the Authorized Service for the product's installation. To prepare the product for installation, see the information in the user manual and make sure the electric and water utilities are as required. If not, call an electrician and plumber to arrange the utilities as necessary.



WARNING:

The manufacturer assumes no responsibility for any damages caused by the work carried out by unauthorized persons.



WARNING:

The product's power cable must be unplugged during installation. Failure to do so may result in death or serious injuries!



WARNING:

If the door span is too narrow for the product to pass, remove the door and turn the product sideways; if this does not work, contact the authorized service.

- Place the product on a flat surface to avoid vibration.
- Place the product at least 30 cm away from the heater, stove and similar sources of heat and at least 5 cm away from electric ovens.
- Do not expose the product to direct sunlight or keep it in damp environments.
- Do not install the product in environments with temperatures below -5 °C.
- Your product requires adequate air circulation to function efficiently. If the product will be placed in an alcove, remember to leave at least 5 cm clearance between the product and the ceiling, rear wall and the side walls.

- Check if the rear wall clearance protection component is present at its location (if provided with the product).
- If the component is not available, or if it is lost or fallen, position the product so that at least 5 cm clearance shall be left between the rear surface of the product and the wall of the room. The clearance at the rear is important for efficient operation of the product.

4.2 Electrical Connection



Do not use extension cables or multi sockets in power connection.



Damaged power cable must be replaced by Authorized Service.



When placing two coolers in adjacent position, leave at least 4 cm distance between the two units.



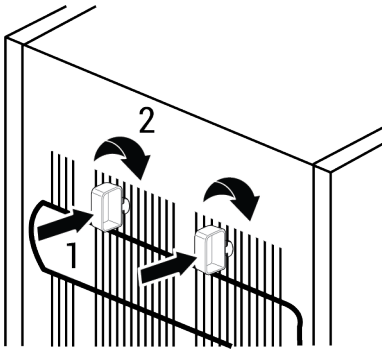
Before transport or use, never open the control board cover on the product. Risk of electric shock and fire!

- Our firm will not assume responsibility for any damages due to usage without earthing and without power connection in compliance with national regulations.
- The power cable plug must be easily accessible after installation.
- Do not use multi-group plug with or without extension cable between the wall socket and the refrigerator.

4.3 Attaching the Plastic Wedges

Use the plastic wedges provided with the product to maintain sufficient space for air circulation between the product and the wall. Mount 2 pieces of plastic wedges as shown in the following figure.

(The indicated picture is drawn representatively, it is not completely same as your product.)

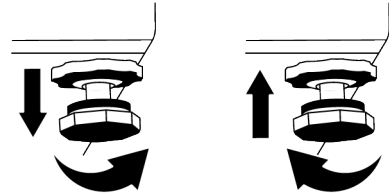


4.4 Adjusting the Legs

If the product is not in balanced position, adjust the front adjustable legs by rotating them to right or left.



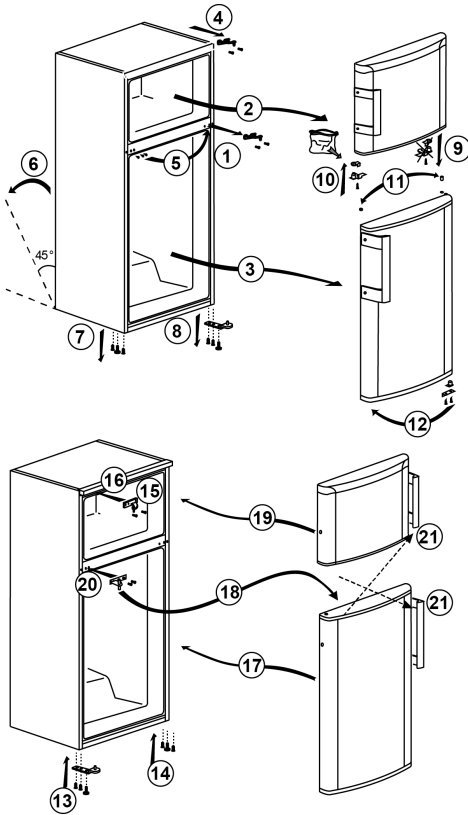
When doing so, pay attention not to jam your hand between the product and the ground or between the product and the adjusted leg. Danger of injury!



4.5 Hot Surface Warning

The side walls of your product are equipped with cooler pipes to enhance the cooling system. High pressure fluid may flow through these surfaces, and cause hot surfaces on the side walls. This is normal and it does not require servicing. Be careful when you contact these areas.

5 Changing Door Direction



6 Preparation



Read the "Safety Instructions" section first!

6.1 What To Do For Energy Saving



Connecting the product to electronic energy-saving systems is harmful, as it may damage the product.

- This refrigerating appliance is not intended to be used as a built in appliance.
- Do not keep the refrigerator doors open for long periods.
- Do not place hot food or beverages into the refrigerator.
- Do not overfill the refrigerator; blocking the internal air flow will reduce cooling capacity.
- Since hot and humid air will not directly penetrate into your product when the doors are not opened, your product will optimize itself in conditions sufficient to protect your food. Under these circumstances, functions and components such as compressor, fan, heater, defrost, lighting, display and so on will operate according to the needs by consuming minimum energy.
- In case that multiple options are present, glass shelves must be placed so that the air outlets at the rear wall are not blocked and preferably, in a way that air outlets

remain below the glass shelf. This combination may help improving air distribution and energy efficiency.

- Using the below drawer when storing is strongly recommended.
- For optimum performance, Quick Freezing can be used (if available), 24 hours prior to placing fresh foods in the freezer.
- In most cases, 24 hours is enough for the Quick Freezing function after fresh foods are placed in the freezer. After some time, Quick Freezing function will deactivate automatically.
- **Caution:** When freezing a small amount of food, Quick Freezing function can be deactivated after some time to ensure energy saving.
- Food shall be stored using the drawers in the cooler compartment in order to ensure energy saving and protect food in better conditions.

6.2 First Use

Before using your refrigerator, make sure the necessary preparations are made in line with the instructions in "Safety and Environmental Instructions" and "Installation" sections.

- Wait for at least 2 hours before operating the product, to ensure the complete efficiency of refrigeration.
- Keep the product running without placing any food inside for 6 hours and do not open the door, unless absolutely necessary.
- The temperature change caused by opening and closing of the door while using the product may normally lead to condensation on door/body shelves and glassware placed in the product.

7 Using The Product



Read the "Safety Instructions" section first!



A sound will be heard when the compressor is engaged. It is normal for the product to make noise even if the compressor is not running, as fluid and gas may be compressed in the cooling system.



It is normal for the front edges of the refrigerator to be warm. These areas are designed to warm up in order to prevent condensation.



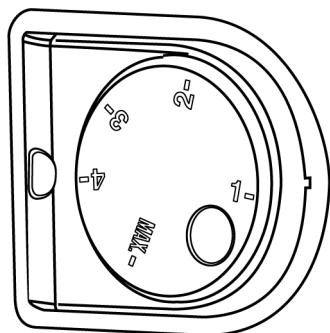
For some models, indicator panel turns off automatically 1 minute after the door closes. It will be re-activated when the door is opened or any button is pressed.

6.3 Climate Class and Definitions

Please refer to the Climate Class on the rating plate of your device. One of the following information is applicable to your device according to the Climate Class.

- **SN:** Long Term Temperate Climate: This cooling device is designed for use at ambient temperatures between 10 °C and 32 °C.
- **N:** Temperate Climate: This cooling device is designed for use at ambient temperatures between 16°C and 32 °C.
- **ST:** Subtropical Climate: This cooling device is designed for use at ambient temperatures between 16°C and 38°C.
- **T:** Tropical Climate: This cooling device is designed for use at ambient temperatures between 16°C and 43°C.

7.1 Temperature Adjustment Button



Temperature adjustment button is intended for making the temperature adjustment of your refrigerator.

Adjusting the Temperature of your Refrigerator

Adjust the overall temperature of the refrigerator using the temperature adjustment button located on the right side wall of the cooler compartment. The temperature can be adjusted to 5 different levels with the adjustment button. You can set the desired location.

Dual Cooling System

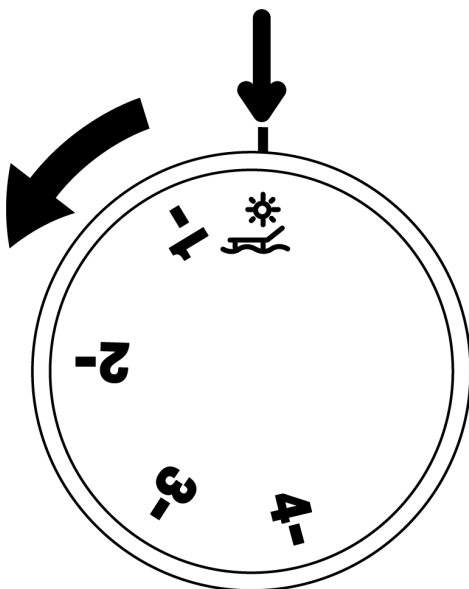
Two separate cooling systems are used to cool the fresh food compartment and the freezer food compartment of your refrigerator. In this way, the air inside fresh food compartment and freezer food compartment do not mix. With these two separate cooling systems used, the cooling rate is much faster than other refrigerators. The odours inside compartments do not mix. In addition, as their automatic defrosting is independent, additional energy savings are provided.

7.2 Vacation Function

The Vacation Function will be automatically enabled if the thermostat is set to the warmest position and the doors remain closed for at least 12 hours.

To cancel the function, either adjust the thermostat setting or open and close the appliance door.

When the vacation function is enabled, it is not recommended to store food in the cooler compartment.



7.3 Shutting Down Your Product

If your thermostat has a "0" position;

- Your product will stop working when its thermostat knob is switched to "0" position. If you do not turn the knob towards "1" or other positions again, your product will not start to function again.

If your thermostat has a "min" position;

- In order to shut down your product, take the power plug out of the socket.

7.4 Storing Food in the Freezer and Cooler Compartment

Storing food in the freezer compartment

- You can activate Quick Freezing function 4-6 hours before freezing function and perform a faster cooling.
- Bring hot meals to the room temperature before placing them in the freezer compartment.
- Foods to be frozen must be divided into portions according to a size to be consumed, and frozen in separate packages.

- It is recommended to pack the foods before placing them in the freezer.
- In order to prevent expiration of storage time, write the freezing date, time and name of the product on the package according to the storage times of different foods.
- Consume the foods you have defrosted quickly. Defrosted foods cannot be frozen again unless they are cooked. It is not safe to consume the refrozen fresh foods without cooking after they are defrosted.
- As you freeze fresh foods, do not bring them in contact with already frozen foods. Otherwise, frozen foods will be defrosted.

Storing the foods, which are sold frozen

- Always follow the instructions of the producer in relation to the time during which you are required to store your foods. Do not exceed the time specified in these instructions!
- In order to protect the quality of the food, keep the time interval between purchasing transaction and storing as short as possible.
- Buy frozen food which are stored at -18°C or lower temperatures.
- Avoid buying foods whose packages are covered with ice etc. This means that the product could be partially defrosted and refrozen. Temperature impacts the quality of the food.
- Do not exceed the storing time recommended by the food producer. Remove only the food as much as you need from the freezer.
- Except the cases where extreme circumstances are available in the environment, if your product (on the recommended set values table) is set to the specified set values, the food keep their freshness for a longer time both in the fresh product compartment and freezer compartment.
- If fresh food compartment is set to a lower temperature, fresh fruits and vegetables may be partially frozen.

Recommended set values table

Freezer details

As per the IEC 62552 standards, the freezer must have the capacity to freeze 4,5 kg of food items at -18°C or lower temperatures at 25°C room temperature in 24 hours for each 100 litres of freezer compartment volume.

Food products can only be preserved for extended periods at or below temperature of -18°C .

You can keep the foods fresh for months (in freezer at or below temperatures of -18°C).

The food products to be frozen must not contact the already-frozen food inside to avoid partial defrosting.

Boil the vegetables and filter the water to extend the frozen storage time. Place the food in air-tight packages after filtering and place in the freezer. Bananas, tomatoes, lettuce, celery, boiled eggs, potatoes and similar food items should not be frozen. In case these foods are frozen, only nutritional values and eating qualities will be negatively affected. A rotting that would threaten human health is not in question.

Placing the food

Freezer compartment shelves: Different frozen foods like meat, fish, ice cream, vegetables etc.

Cooler compartment shelves: Food items inside pots, capped plate and capped cases, eggs (in closed case)

Cooler compartment door shelves: Small and packaged food or beverages

Crisper: Vegetables and fruits

Fresh food compartment: Delicatessen (breakfast food, meat products to be consumed in short time)

Storing food in the cooler compartment

- Compartment temperatures rise prominently if compartment door is opened and closed frequently and kept open for a long time, this can reduce the life span of the food and cause the food to spoil.

- In order not to cause odour and taste changes, the food should be stored in the closed containers.
- Do not store too much food in your refrigerator. To achieve a better and homogeneous cooling, place the food separately in a way that cold air can wander through them.
- Provide air flow by leaving a space between the food and internal wall. If you lean the food against the rear wall, the food may freeze.
- Bring cooked hot meals to the room temperature before placing them in the refrigerator. Then, you can place the tepid meal in the lower shelves of your refrigerator. Do not place the tepid meals close to the foods which may easily spoil.
- Defrost your frozen food in the fresh food compartment. Thereby, you can cool fresh food compartment by using frozen food and save energy.
- Storing unripe tropical fruits (mango, melon varieties, papaya, banana, pineapple) in the refrigerator may speed up the ripening process. This is not recommended because it will cause shorter storage time.
- You should store onions, garlands, ginger and other root vegetables in dark and cold room conditions, not in the refrigerator.
- If you notice that a food has spoiled in the refrigerator, throw away that food and clean the accessories which have come into contact with it.
- In order to cool the meals like soups and stews, which are cooked in the large pots, quickly, you can put them in the refrigerator by separating them into their own shallow containers.
- Do not place unpackaged food close to eggs.
- Keep the fruits and vegetables separately and store each variety together (for example; apples with apples, carrots with carrots).
- Take green vegetables out of the plastic bag and place them in the refrigerator after wrapping them in a paper towel or drying cloth. If you wash this type of food before placing them in the refrigerator, remember to dry them.
- You can both create a damp environment and provide an air flow by keeping fruits and vegetables, which are prone to drying, in the perforated or unsealed plastic bags.
- Except the cases where extreme circumstances are available in the environment, if your product (on the recommended set values table) is set to the specified set values, the food keep their freshness for a longer time both in the fresh product compartment and freezer compartment.

Store different food in different places according to their properties.

Food	Location
Egg	Door Shelf
Dairy products (butter, cheese)	If available, zero degree (for breakfast food) compartment
Fruits, vegetables and greenery	Fruit-vegetable compartment, crisper or EverFresh+ compartment (if available)
Fresh meat, poultry, fish, sausage etc. Cooked foods	If available, zero degree (for breakfast food) compartment
Ready to serve foods, packaged products, canned foods and pickles	Top shelves or door shelf
Beverages, bottles, spices and snacks	Door Shelf

7.4.1 Freezing Fresh Foods

It is recommended to place the food in the refrigerator by wrapping it or covering it. Hot food should be cooled to room temperature before placing it in the refrigerator.

The food items you want to freeze must be of good quality and fresh.

Food items should be divided into portions according to the family's daily or meal portion requirements.

Even if the food items will be stored for a short time, they should be packed in an airtight manner to prevent them from drying out.

The materials used in packaging the food should be resistant to cold, moisture, tearing, odour, oil and acid and should be airtight.

In addition, it should properly cover it, and be of useful and deep material.

Frozen food items must be used immediately after defrosting and must not be frozen again.

To obtain the best result, apply the following instructions:

1. Do not freeze large amounts of food at the same time. The best possible way to preserve the quality of food is to freeze them deeply as quickly as possible.
2. When hot food is placed in the freezer compartment, the cooling system works continuously for a while to cool these foods until they are completely hardened.
3. Take special care not to mix frozen food with fresh food.

8 Product Features

8.1 The ice storage area

Ice Container

Ice bucket allows you take ice easily from the refrigerator.

Using the ice bucket

1. Take the ice bucket out of the freezer compartment.
2. Fill the ice bucket with water.

7.5 Door Open Alert

The door open alert system of your refrigerator may differ depending on the model.

Version 1;

If the door of the product remains open for a certain time (between 60 s and 120 s), an audio warning signal sounds; depending on the product model, a visual warning signal (light flash) can also be displayed. If you close the door of the device or press a button on the screen of the device, if any, the warning sound will stop.

Version 2;

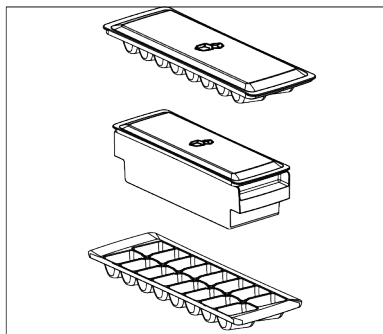
If the door of the device remains open for a certain period of time (between 60 s and 120 s), the door open alert is sounded. The door open alert is sounded gradually. First, an audible warning starts to sound. After 4 minutes, if the door is still not closed, a visual warning (lighting flash) is activated. The door open alert will be delayed for a certain period of time (between 60 s and 120 s) when any key on the product screen, if any, is pressed. Then the process will start again. When the device door is closed, the door open alert will be cancelled.

7.6 Replacing the Illumination Lamp

Call the Authorized Service when the Bulb/LED used for lighting in your refrigerator will be replaced.

Lamp(s) used in this appliance cannot be used for house lighting. Intended use of this lamp is to help the user place food into the refrigerator / freezer safely and comfortably.

3. Place the ice bucket into the freezer compartment. The ice will be ready after approximately two hours.
4. Take the ice bucket from the freezer compartment and bend in slightly over the holder that you are going to serve. Ice will easily pour into the serving holder.



8.2 Egg holder

You can place the egg holder on the door or body shelf you wish.

If the egg holder is to be placed on the body shelf, we recommend you to choose colder lower shelves.



Never place the egg holder on the freezer compartment

9 Maintenance and Cleaning



WARNING:

Read the "Safety Instructions" section first.



WARNING:

Before cleaning your refrigerator, unplug it or de-energize the fuse to which it is connected.



Do not place your hands, feet or metal objects under the refrigerator or between the refrigerator and the floor for whatsoever reason. Jamming may occur or any sharp edge may cause personal injuries.

- Do not use sharp or abrasive tools to clean the product. Do not use materials such as household cleaning agents, soap, detergents, gas, gasoline, thinner, alcohol, wax, etc.

8.3 Crisper

The refrigerator's crisper is designed to keep vegetables fresh by preserving their humidity. For this purpose, the overall cold air circulation is intensified in the crisper. Keep fruits and vegetables in this compartment. Keep the green-leaved vegetables and fruits separately to prolong their life.

8.4 Dairy Products Cold Storage Area

Cold Storage Drawer

The Cold Storage Drawer can reach lower temperatures in the cooler compartment. Use this drawer for delicatessen products (salami, sausage, etc.) and dairy products that require colder storage conditions, or for meat, chicken or fish to be consumed quickly. It is not suitable to store fruits and vegetables in this drawer.

- The dust shall be removed from the ventilation grill on the rear of the product at least once a year (without opening the cover). Clean the product with a dry cloth.
- Take care to keep water away from the lamp's cover and other electrical parts.
- Clean the door with a damp cloth. Remove all contents to remove the door and body racks. Remove the door racks by lifting them upwards. Clean and dry the shelves, then attach back in place by sliding from above.
- Do not use chlorinated water or cleaning products on the exterior surface and chrome coated parts of the product. Chlorine will cause rust on such metallic surfaces.
- Do not use sharp and abrasive tools, soap, house cleaning materials, detergents, gas, gasoline, varnish and similar substances to prevent deformation of and removal of prints on the plastic part. Use warm water and a soft cloth for cleaning, and then dry it.

- On the products without a No-Frost feature, water droplets and icing up to a thickness of a finger may occur on the rear wall of the cooler compartment. Do not clean, and never apply oils or similar materials.
- Use only a mildly dampened micro-fibre cloth to clean the external surface of the product. Sponges and other types of cleaning clothes may cause scratches.
- To clean all removable components during the cleaning of the interior surface of the product, wash these components with a mild solution consisting of soap, water and carbonate. Wash and dry thoroughly. Prevent contact of water with illumination components and the control panel.



ATTENTION:

Do not use vinegar, rubbing alcohol or other alcohol based cleaning agents on any interior surface.

10 Troubleshooting



Read the "Safety Instructions" section first!

Check this list before contacting the service. Doing so will save you time and money. This list includes frequent complaints that are not related to faulty workmanship or materials. Certain features mentioned herein may not apply to your product.

WARNING: If the problem persists after following the instructions in this section, contact your vendor or an Authorized Service. Do not try to repair the product.

The refrigerator is not working.

- The power plug is not fully settled. >>> Plug it in to settle completely into the socket.
- The fuse connected to the socket powering the product or the main fuse is blown. >>> Check the fuse.

Stainless Steel External Surfaces

Use a non-abrasive stainless steel cleaning agent and apply it with a soft lint-free cloth. To polish, gently wipe the surface with a micro-fibre cloth dampened with water and use dry polishing chamois. Always follow the veins of the stainless steel.

Preventing Odours

The product is manufactured free of any odorous materials. However, inappropriately storing food and improper cleaning of internal surfaces may lead to odours.

- To avoid this, clean the inside with carbonated water every 15 days.
- Keep the foods in sealed holders, as micro-organisms arising from foods kept in unsealed containers will cause bad odour.
- Do not keep expired and spoilt foods in the refrigerator.

Protecting Plastic Surfaces

Oil spilled on plastic surfaces may damage the surface and must be cleaned immediately with warm water.

Condensation on the side wall of the cooler compartment (MULTI ZONE, COOL CONTROL and FLEXI ZONE).

- The door is opened too frequently. >>> Take care not to open the product's door too frequently.
- The environment is too humid. >>> Do not install the product in humid environments.
- Foods containing liquids are kept in unsealed holders. >>> Keep the foods containing liquids in sealed holders.
- The product's door is left open. >>> Do not keep the product's door open for long periods.
- The thermostat is set to a very cool temperature. >>> Set the thermostat to an appropriate temperature.

Compressor is not working.

- In case of sudden power failure or pulling the power plug off and putting back on, the gas pressure in the product's cooling

system is not balanced, which triggers the compressor thermic safeguard. The product will restart after approximately 60 minutes. If the product does not restart after this period, contact the service.

- Defrosting is active. >>> This is normal for a fully-automatic defrosting product. The defrosting is carried out periodically.
- The product is not plugged in. >>> Make sure the power cord is plugged in.
- The temperature setting is incorrect. >>> Select the appropriate temperature setting.
- The power is out. >>> The product will continue to operate normally once the power is restored.

The refrigerator's operating noise is increasing while in use.

- The product's operating performance may vary depending on the ambient temperature variations. This is normal and not a malfunction.

The refrigerator runs too often or for too long.

- The new product may be larger than the previous one. Larger products will run for longer periods.
- The room temperature may be high. >>> The product will normally run for long periods in higher room temperature.
- The product may have been recently plugged in or a new food item is placed inside. >>> The product will take longer to reach the set temperature when recently plugged in or a new food item is placed inside. This is normal.
- Large quantities of hot food may have been recently placed into the product. >>> Do not place hot food into the product.
- The doors were opened frequently or kept open for long periods. >>> The warm air moving inside will cause the product to run longer. Do not open the doors too frequently.
- The freezer or cooler door may be ajar. >>> Check that the doors are fully closed.

- The product may be set to a temperature that is too low. >>> Set the temperature to a higher degree and wait for the product to reach the adjusted temperature.
- The cooler or freezer door washer may be dirty, worn out, broken or not properly settled. >>> Clean or replace the gasket. Damaged / torn door washer will cause the product to run for longer periods to preserve the current temperature.

The freezer temperature is very low, but the cooler temperature is adequate.

- The freezer compartment temperature is set to a very low degree. >>> Set the freezer compartment temperature to a higher degree and check again.

The cooler temperature is very low, but the freezer temperature is adequate.

- The cooler compartment temperature is set to a very low degree. >>> Set the cooler compartment temperature to a higher degree and check again.

The food items kept in cooler compartment drawers are frozen.

- The cooler compartment temperature is set to a very low degree. >>> Set the cooler compartment temperature to a higher degree and check again.

The temperature in the cooler or the freezer is too high.

- The cooler compartment temperature is set to a very high degree. >>> Temperature setting of the cooler compartment has an effect on the temperature in the freezer compartment. Wait until the temperature of relevant parts reach the sufficient level by changing the temperature of cooler or freezer compartments.
- The doors were opened frequently or kept open for long periods. >>> Do not open the doors too frequently.
- The door may be ajar. >>> Fully close the door.
- The product may have been recently plugged in or a new food item is placed inside. >>> This is normal. The product

will take longer to reach the set temperature when recently plugged in or a new food item is placed inside.

- Large quantities of hot food may have been recently placed into the product. >>> Do not place hot food into the product.

Shaking or noise.

- The surface is not flat or durable >>> If the product is shaking when moved slowly, adjust the stands to balance the product. Also make sure the ground is sufficiently durable to bear the product.
- Any items placed on the product may cause noise. >>> Remove any items placed on the product.
- The product is making noise of liquid flowing, spraying etc.
- The product's operating principles involve liquid and gas flows. >>> This is normal and not a malfunction.

There is sound of wind blowing coming from the product.

- The product uses a fan for the cooling process. This is normal and not a malfunction.

There is condensation on the product's internal walls.

- Hot or humid weather will increase icing and condensation. This is normal and not a malfunction.
- The doors were opened frequently or kept open for long periods. >>> Do not open the doors too frequently; if open, close the door.
- The door may be ajar. >>> Fully close the door.

There is condensation on the product's exterior or between the doors.

- The ambient weather may be humid, this is quite normal in humid weather. >>> The condensation will dissipate when the humidity is reduced.

The interior smells bad.

- The product is not cleaned regularly. >>> Clean the interior regularly using sponge, warm water and carbonated water.
- Certain holders and packaging materials may cause odour. >>> Use holders and packaging materials without free of odour.
- The foods were placed in unsealed holders. >>> Keep the foods in sealed holders. Micro-organisms may spread out of unsealed food items and cause bad odour.
- Remove any expired or spoiled foods from the product.

The door is not closing.

- Food packages may be blocking the door. >>> Relocate any items blocking the doors.
- The product is not standing in full upright position on the ground. >>> Adjust the stands to balance the product.
- The surface is not flat or durable >>> Make sure the surface is flat and sufficiently durable to bear the product.

The crisper is jammed.

- The food items may be in contact with the upper section of the drawer. >>> Reorganize the food items in the drawer.

Temperature on the product surface.

- High temperature may be observed between two doors, on the side panels and on the rear grill area while your product is operated. This is normal and it does not require servicing.

Fan continues to operate when the door is opened.

- Fan may continue to operate when the freezer door is open.



WARNING: If the problem persists after following the instructions in this section, contact your vendor or an Authorized Service. Do not try to repair the product. This is normal.

11 DISCLAIMER / WARNING

Some (simple) failures can be adequately handled by the end-user without any safety issue or unsafe use arising, provided that they are carried out within the limits and in accordance with the following instructions (see the "Self-Repair" section).

Therefore, unless otherwise authorized in the "Self-Repair" section below, repairs shall be addressed to registered professional repairers in order to avoid safety issues. A registered Professional repairer is a professional repairer that has been granted access to the instructions and spare parts list of this product by the manufacturer according to the methods described in legislative acts pursuant to Directive 2009/125/EC.

However, only the service agent (i.e. authorized professional repairers) that you can reach through the phone number given in the user manual/warranty card or through your authorized dealer may provide service under the guarantee terms. Therefore, please be advised that repairs by professional repairers (who are not authorized by) Whirlpool shall void the guarantee.

Self-Repair

Self-repair can be done by the end-user with regard to the following spare parts: door handles, door hinges, trays, baskets and door gaskets (an updated list is also available parts-selfservice.whirlpool.com as of 1st March 2021).

Moreover, to ensure product safety and to prevent risk of serious injury, the mentioned self-repair shall be done following the instructions in the user manual for selfrepair or which are available in parts-selfservice.whirlpool.com. For your safety, unplug the product before attempting any self-repair.

Repair and repair attempts by end-users for parts not included in such list and/or not following the instructions in the user manuals for self-repair or which are available in parts-selfservice.whirlpool.com, might give

raise to safety issues not attributable to Whirlpool, and will void the warranty of the product.

Therefore, it is highly recommended that end-users refrain from the attempt to carry out repairs falling outside the mentioned list of spare parts, contacting in such cases authorized professional repairers or registered professional repairers. On the contrary, such attempts by end-users may cause safety issues and damage the product and subsequently cause fire, flood, electrocution and serious personal injury to occur.

By way of example, but not limited to, the following repairs must be addressed to authorized professional repairers or registered professional repairers: compressor, cooling circuit, main board, inverter board, display board, etc.

The manufacturer/seller cannot be held liable in any case where end-users do not comply with the above.

The spare part availability of the refrigerator that you purchased is 10 years. During this period, original spare parts will be available to operate the refrigerator properly. The minimum duration of guarantee of the refrigerator that you purchased is 24 months.

This product is equipped with a lighting source of the "G" energy class.

The lighting source in this product shall only be replaced by Professional repairer.

يرجى قراءة دليل المستخدم هذا أولاً.

عملينا العزيز،

نشكرك على اختيارك هذا المنتج . نتمنى أن تصل إلى الكفاءة المثلى من هذا المنتج عالي الجودة الذي تم تصنيعه بأحدث التقنيات. للقيام بذلك ، اقرأ هذا الدليل بعناية وأية وثائق أخرى مقدمة قبل استخدام المنتج. انتبه إلى جميع المعلومات والتحذيرات الموجودة في دليل المستخدم. بهذه الطريقة ، ستحمي نفسك ومنتجاتك من الأخطار التي قد تحدث. احتفظ بدليل المستخدم. قم بتضمين هذا الدليل مع المنتج إذا قمت بتسليمه إلى شخص آخر.

يتم استخدام الرموز التالية في دليل المستخدم وعلى المنتج:

خطر قد يؤدي إلى الوفاة أو الإصابة.	
معلومات مهمة أو نصائح مفيدة حول التشغيل.	
خطر حدوث صدمة كهربائية!	
اقرأ دليل المستخدم.	
خطر قد يؤدي إلى الحروق نتيجة ملامسة الأسطح الساخنة.	
مادة قابلة للاشتعال، تحذير من مخاطر الحريق.	
خطر الإصابة نتيجة ملامسة الأسطح الحادة!	
خطر التعرض للأشعة فوق البنفسجية	
ملاحظة	خطر قد يتسبب في تلف مادي بالمنتج أو المناطق المحيطة به

يمكن الوصول إلى معلومات الموديل المخزنة في قاعدة بيانات المنتج بزيارة الموقع التالي والبحث عن معرف الموديل (*) المطبوع على ملصق الطاقة. /https://eprel.ec.europa.eu		ENERG	
	SUPPLIER'S NAME	MODEL IDENTIFIER → (*)	

٢-٨	حامل البيض	49
٣-٨	رف الخضروات	49
٤-٨	منطقة التخزين البارد لمنتجات الألبان	49
٩	الصيانة والتنظيف	49
١٠	استكشاف الأخطاء وإصلاحها	50
١١	52

١	تعليمات السلامة.....	32
١-١	طريقة الاستخدام	32
٢-١	سلامة الأطفال والضعفاء والحيوانات الأييفة.....	32
٣-١	السلامة الكهربائية	33
٤-١	سلامة نقل المنتج.....	33
٥-١	سلامة التركيب.....	34
٦-١	السلامة التشغيلية.....	36
٧-١	سلامة تخزين الطعام	38
٨-١	سلامة الصيانة والتنظيف.....	38
٩-١	الإنارة.....	39
١٠-١	التخلص من المنتج القديم	39
٢	التعليمات البيئية	40
١-٢	الامتثال للتوجيهات الخاصة بنفايات الأجهزة والتخلص منها	40
٣	ثلاجتك	41
٤	التركيب.....	42
١-٤	المكان المناسب للتركيب	42
٢-٤	التوصيلات الكهربائية	42
٣-٤	تثبيت الأوتاد البلاستيكية	42
٤-٤	ضبط أقدام المنتج	43
٥-٤	تحذير سطح ساخن	43
٥	تغيير اتجاه فتح الباب	44
٦	الإعداد	44
١-٦	إجراءات توفير الطاقة	44
٢-٦	الاستخدام لأول مرة	45
٣-٦	فئة المناخ والتعاريف	45
٧	استخدام المنتج	45
١-٧	زر ضبط درجة الحرارة.....	45
٢-٧	وظيفة العطلة	46
٣-٧	إيقاف تشغيل المنتج	46
٤-٧	تخزين الطعام في حجرة المجمد والمبرد	46
١-٤-٧	48
٥-٧	تحذير فتح الباب.....	48
٦-٧	استبدال مصباح الإضاءة	48
٨	مواصفات المنتج.....	48
١-٨	منطقة تخزين الثلج.....	48

في وحدات الفنادق أو الموتيلا أو مرافق الاستراحة الأخرى التي يستخدمها الزبائن، في النزل أو البيئات المماثلة، في خدمات الضيافة وتقديم الطعام والتطبيقات المماثلة في غير محلات التجزئة.

• لا يجوز استخدام هذا المنتج في البيئات الخارجية المفتوحة أو المغلقة مثل السفن أو عربات التخيم أو الشرفات. قد يؤدي تعريض المنتج للمطر والثلج وأشعة الشمس والرياح إلى خطر نشوب حريق.

٢-١ سلامة الأطفال

والضعفاء والحيوانات الأليفة


• يمكن للأطفال بعمر 8 أعوام فأكثر والأشخاص الذين يعانون من قدرات بدنية أو حسية أو عقلية محدودة أو يفتقرون للخبرة والمعرفة استخدام هذا المنتج تحت الإشراف أو وفقاً للتعليمات الخاصة باستخدام الجهاز بطريقة آمنة شريطة أن يكونوا مدركين للمخاطر المتعلقة بذلك.


• يُسمح للأطفال الذين تتراوح أعمارهم بين 3 و 8 سنوات بوضع وإخراج الطعام من / إلى المنتج المبرد.


• يجب على الأطفال والحيوانات الأليفة عدم اللعب بالمنتج، أو التسلق عليه، أو دخوله.


• يوضح هذا الجزء تعليمات السلامة اللازمة لمنع خطر الإصابة أو الضرر المادي.

• لا تتحمل شركتنا المسؤولية عن أي أضرار قد تقع إذا لم يتم التقيد بهذه التعليمات.

 قم دائماً بإجراء عمليات التثبيت والإصلاح من قبل الشركة المصنعة أو الخدمة المعتمدة أو الشخص الذي سيتم وصفه من قبل شركة المستورد.

 لا تستخدم سوى قطع الغيار والملحقات الأصلية.

 لا تصلح أو تستبدل أي جزء من الجهاز إلا إذا ذكر ذلك صراحة في دليل المستخدم.

 لا تُجرى أي تعديلات على المنتج.

١-١ طريقة الاستخدام

• هذا المنتج غير مناسب للاستخدام التجاري ولا ينبغي استخدامه لأي غرض آخر غير الغرض المقصود منه.

• هذا المنتج مخصص للتشغيل في المساحات الداخلية، مثل المنازل أو ما شابه ذلك.

مثال؛

في مطابخ الموظفين بالمتاجر، والمكاتب وبيئات العمل الأخرى، في المزارع،

- لا تقم بتوصيل سلك الطاقة الخاص بالمنتج بمأخذ طاقة مفكوك أو تالف. قد ترتفع درجة حرارة هذه الأنواع من الوصلات وتتسبب في نشوب حريق.
- يجب أن تكون هناك سهولة في الوصول إلى المقبس. إذا لم يكن ذلك ممكناً ، فيجب توفير آلية في التركيب تتوافق مع التشريعات الكهربائية وتفصل جميع المحطات الطرفية عن تمديدات الشبكة (المصهر ، والمفتاح الرئيسي، الخ).
- يجب عدم تشغيل المنتج باستخدام جهاز تحويل خارجي مثل مؤقت، أو نظام تحكم عن بعد.
- لا تستخدم المنتج عندما تكون قدميك عاريتين أو يكون جسمك مبللاً.
- لا تلمس القابس بأيدي مبللة!
- عند فصل الجهاز ، لا تمسك كابل الطاقة، بل القابس.
- تأكد من أن القابس ليس مبللاً أو متسخاً أو مغبراً.
- لا تقم مطلقاً بتوصيل منتجك بأجهزة توفير الطاقة. هذه الأنظمة ضارة بالمنتج.

⚠️ ٤-١ سلامة نقل المنتج

- تأكد من فصل الجهاز عن الكهرباء قبل حمل المنتج.
- هذا المنتج ثقيل، لا تحمله بمفردك. فقد تحدث إصابات إذا وقع المنتج عليك. لا تصطدم المنتج أو تسقطه أثناء نقله.

- ويجب إبعاد الأطفال والحيوانات الأليفة عن منطقة الكابينة (الضاغط) حيث توجد بها الأجزاء الكهربائية.
- يجب ألا يقوم الأطفال بالتنظيف وصيانة المستخدم ما لم يكن هناك من يشرف عليهم.
- ابعد مواد التغليف عن الأطفال. خطر الإصابة والاختناق.

⚠️ ٣-١ السلامة الكهربائية

- يجب عدم توصيل المنتج بالمأخذ أثناء عمليات التركيب والصيانة والتنظيف والإصلاح والنقل.
- في حالة تلف كابل الطاقة، يجب استبداله من قبل الشخص المرسل من قبل الشركة المصنعة أو مزود الخدمة المعتمد أو المستورد لمنع أي خطر محتمل.
- لا تضع سلك الطاقة أسفل المنتج أو في الجزء الخلفي منه. لا تضع عناصر ثقيلة على سلك الطاقة. يجب عدم ثني سلك الطاقة أو الضغط فوقه أو ملامسته لأي مصدر حرارة.
- استخدم الكابل الأصلي فقط. لا تستخدم الكابلات المقطوعة أو التالفة.
- لا تستخدم سلك تمديد أو مقبس متعدد أو محول لتشغيل منتجك.
- قد تؤدي المقابس المتعددة المحمولة أو مصادر الطاقة المحمولة إلى زيادة الحرارة وتسبب الحريق. وبالتالي، لا تضع مصادر طاقة محمولة متعددة المقابس خلف المنتج أو بالقرب منه.

- لا تقم بشييت المنتج أو تركه في أماكن قد يتعرض فيها لدرجات الحرارة المحيطة الخارجية.
- ضع المنتج على سطح نظيف ومستو وصلب وقم بموازنته مع الأرجل القابلة للتعديل (عن طريق تدوير القدمين الأماميتين إلى اليمين أو اليسار). وإلا فقد تتقلب الثلاجة وتتسبب في حدوث إصابات.
- يجب تركيب المنتج في بيئة جافة وجيدة التهوية. لا تضع سجاد أو بسط أو أغطية مشابهة أسفل المنتج. قد يؤدي ذلك إلى نشوب حريق نتيجة التهوية الغير كافية!
- لا تسد أو تغطي فتحات التهوية. بخلاف ذلك، يزيد استهلاك الطاقة وقد يتلف منتجك.
- عند وضع المنتج، تأكد من أن كابل الإمداد غير تالف أو مقروص.
- يجب ألا يكون المنتج متصلًا بأنظمة الإمداد ومصادر الطاقة التي قد تسبب تغييرات مفاجئة في الجهد (أي، مصدر طاقة شمسي محمول). خلاف ذلك ، قد يحدث تلف لمنتجك نتيجة لتقلبات الجهد المفاجئة!
- كلما زادت كمية غاز التبريد في الثلاجة ، زادت مساحة الغرفة التي يجب تركيب الثلاجة بها. في الغرف الصغيرة جداً ، قد يتشكل خليط غاز-هواء قابل للاشتعال في حالة تسرب الغاز في نظام التبريد. يطلب ما لا يقل عن 1 متر مكعب من الحجم لكل

- أغلق الأبواب دائماً ولا تمسك المنتج من أوابه أثناء نقله.
- احرص على عدم إتلاف نظام التبريد والأنابيب أثناء نقل المنتج. لا تقم بتشغيل المنتج في حالة تلف الأنابيب ، واتصل بخدمة معتمدة.

⚠️ ٥-١ سلامة التركيب

- لإعداد الجهاز للاستخدام، انظر المعلومات في دليل المستخدم والتركيب، وتأكد أن منافع الكهرباء والماء كما هو مطلوب. إذا لم يكن الأمر كذلك، فاتصل بغني كهربائي وسباك مؤهل لترتيب المرافق حسب الضرورة. ويجب أن يتم ذلك من قبل العميل.
- قد يؤدي عدم القيام بذلك إلى حدوث صدمة كهربائية أو نشوب حريق أو مشاكل بالمنتج أو حدوث إصابة.
- قبل بدء التثبيت، قم بإيقاف تشغيل المصهر لفصل الطاقة عن خط الطاقة الذي يتصل به المنتج.
- صُمم هذا المنتج للاستخدام على ارتفاع أقصاه 2000 متر فوق مستوى سطح البحر.
- ابعد الأطفال بعيداً عن منطقة التثبيت.
- تحقق من عدم وجود أي ضرر في المنتج قبل تثبيته. لا توصل الجهاز بالكهرباء إذا كان متضرراً.
- استخدم دائماً معدات الحماية الشخصية (القفازات، إلخ) أثناء تركيب المنتج وصيانته وإصلاحه. خطر حدوث إصابات.

- يجب فصل كبل طاقة الجهاز أثناء التركيب. خلاف ذلك، قد يحدث خطر حدوث صدمة كهربائية وإصابة!
- لا توصّل المنتج بمقابس أو مآخذ مفكوكة أو مكسورة أو متسخة أو دهنية خارجة عن مواضعها أو مقابس ذات خطر ملامسة الماء. قد ترتفع درجة حرارة هذه الأنواع من الوصلات وتتسبب في نشوب حريق.
- ضع سلك الطاقة وخراطيم المنتج (إن وجدت) بحيث لا تسبب خطر التعثر.
- قد يتسبب دخول الرطوبة أو السوائل إلى الأجزاء الكهربائية أو سلك الطاقة في حدوث قصر في الدائرة الكهربائية. بالتالي، لا تستخدم المنتج في البيئات الرطبة أو في المناطق التي قد تتناثر فيها المياه (مثل المرآب وغرفة الغسيل وما إلى ذلك) إذا كانت الثلاثة مبللة بالمياه ، افصلها واتصل بالخدمة المعتمدة.
- لا تقم بتوصيل ثلاجتك بأجهزة توفير الطاقة. هذه الأنظمة ضارة بالمنتج.
- هناك خطر ملامسة الأجزاء الكهربائية عند إزالة غطاء اللوحة الإلكترونية والغطاء الخلفي للضاغط (إذا تم تركيبه). لا تقم بإزالة غطاء اللوحة الإلكترونية والغطاء الخلفي للضاغط (إذا تم تركيبه). هناك خطر حدوث صق كهربائي!
- 8 جرام من سائل التبريد. تم تحديد كمية مادة التبريد المتوفرة في منتجك في ملصق النوع.
- لا يجوز أبداً وضع المنتج بطريقة تجعل كابلات الطاقة، أو الخرطوم المعدني لموقد الغاز، أو أنابيب الغاز المعدني أو أنابيب المياه تتلامس مع الجدار الخلفي للمنتج (أو المكيف).
- يجب ألا يتعرض مكان تركيب المنتج لأشعة الشمس المباشرة، كما يجب ألا يكون بالقرب من مصدر حرارة مثل المواقد، والرادياتير وما إلى ذلك، وإذا لم تتمكن من منع تركيب المنتج بالقرب من مصدر الحرارة، فاستخدم لوح عزل مناسب وتأكد من أن الحد الأدنى للمسافة إلى مصدر الحرارة كما هو محدد أدناه:
- - على بعد 30 سم على الأقل من مصادر الحرارة مثل المواقد والأفران ووحدات التسخين والسخانات وما إلى ذلك،
- - وعلى بعد 5 سم على الأقل من الأفران الكهربائية.
- منتجك من فئة الحماية الأولى.
- قم بتوصيل المنتج بمقبس مؤرض يتوافق مع قيم الجهد والتيار والتردد المحددة في ملصق النوع. يجب أن يحتوي المقبس على فتيل 10 أمبير - 16 أمبير. لا تتحمل شركتنا المسؤولية عن أية أضرار بسبب الاستعمال بدون تأريض أو بدون توصيل الطاقة طبقاً للأنظمة المحلية.

⚠️ ٦-١ السلامة التشغيلية

- لا تستخدم المذيبات الكيميائية على المنتج. تسبب هذه المواد خطر الانفجار.
- في حالة تعطل المنتج، افصله (أو قم بفصل المصهر المتصل به)، ولا تقم بتشغيله حتى يتم إصلاحه بواسطة الخدمة المعتمدة. فهناك خطر الصدمة الكهربائية!
- لا تضع اللهب (شمعة مضاءة، سبجارة، إلخ) أو مصادر الحرارة (المكواة، الموقد، الفرن، إلخ) على المنتج أو بالقرب منه. لا تضع مواد قابلة للاشتعال أو متفجرة بالقرب من المنتج...
- لا تصعد على المنتج. هناك خطر السقوط والإصابة!
- لا تلتف أنابيب نظام التبريد باستخدام أدوات حادة وثاقبه. قد يتسبب سائل التبريد الذي قد يتم رشه في حالة ثقب أنابيب الغاز أو تمديدات الأنابيب أو غلاف السطح العلوي في حدوث تهيج للجلد وإصابات في العين.
- لا تدخل في دائرة التبريد أو تلتفها. خطر الانفجار.
- لا تضع وتشغل الأجهزة الكهربائية داخل الثلاجات / المجمد ما لم ينصح المصنع بذلك.
- لا تستخدم أي إجراءات غير تلك الموصى بها من قبل الشركة المصنعة لتسريع عملية إزالة الجليد.
- انتبه حتى لا تحشر أي جزء من يديك أو جسمك في الأجزاء المتحركة داخل المنتج. احرص على عدم انحسار أصابعك بين الثلاجة وبابها. كن حذراً أثناء فتح وإغلاق الباب إذا كان هناك أطفال بالجوار.
- لا تضع المثلجات أو مكعبات الثلج أو الأطعمة المجمدة في فمك بمجرد إخراجها من الفريزر. خطر حدوث عضة صقيع!
- لا تلمس الجدران الداخلية أو الأجزاء المعدنية من المجمد أو الأطعمة المحفوظة داخل المجمد ويداك مبتلة. خطر حدوث عضة صقيع!
- لا تضع علب الصودا أو العلب والزجاجات التي تحتوي على سوائل يمكن تجميدها في حجرة التجميد. قد تنفجر العلب أو الزجاجات. هناك خطر حدوث إصابة وأضرار مادية!
- لا تستخدم أو تضع مواداً حساسة ضد درجة الحرارة مثل البخاخات القابلة للاشتعال ، والأشياء القابلة للاشتعال ، والثلج الجاف أو غيرها من المواد الكيميائية في محيط الثلاجة. خطورة الحريق والانفجار!
- لا تخزن المواد القابلة للانفجار مثل علب الأيروسول التي تحتوي على مواد قابلة للاشتعال داخل المنتج.
- لا تضع العلب المحتوية على سوائل فوق المنتج بشكل مفتوح. قد يؤدي تناثر الماء على جزء كهربائي إلى حدوث صدمة كهربائية أو نشوب حريق.

- لا تخزن الأوعية الزجاجية التي تحتوي على سائل بداخلها في حجرة التجميد نظراً لخطر حدوث كسر.
- هذا المنتج غير مخصص لتخزين وتبريد الأدوية أو بلازما الدم أو المستحضرات المخبرية أو المواد والمنتجات المماثلة التي تخضع لتوجيه المنتجات الطبية.
- إذا تم استخدام المنتج لغرض غير الغرض المقصود منه، فقد يتسبب ذلك في تلف المنتجات المخزنة بالداخل أو تدهور جودتها.
- إذا كانت ثلاثتك مزودة بضوء أزرق ، فلا تنظر إلى هذا الضوء بالأجهزة البصرية. لا تحدد مباشرة في ضوء الأشعة فوق البنفسجية LED لفترة طويلة. قد تسبب الأشعة فوق البنفسجية إجهاد العين.
- لا تملأ المنتج بمحتويات تزيد عن سعته. لا تستخدم أي إجراءات غير تلك الموصى بها من قبل الشركة المصنعة لتسريع عملية إزالة الجليد. قد تحدث إصابات أو أضرار إذا سقطت محتويات الثلجة عند فتح الباب. قد تحدث مشكلات مماثلة عند وضع شيء ما فوق المنتج.
- تأكد من إزالة أي جليد أو ماء قد يكون سقط على الأرض لمنع الإصابات.
- قم بتغيير أماكن الرفوف / أرفف الزجاجات على باب الثلجة عندما تكون الأرفف فارغة فقط. خطر الإصابة!
- لا تضع أشياء قد تسقط / تنقلب على المنتج. قد تسقط هذه الأشياء أثناء فتح الباب أو إغلاقه وتسبب إصابات و / أو أضرار مادية.
- لا تضرب أو تمارس ضغطاً زائداً على الأسطح الزجاجية. قد يتسبب الزجاج المكسور في حدوث إصابات و / أو أضرار مادية.
- يحتوي نظام التبريد في منتجك على مبرد R600a. يتم تحديد نوع مادة التبريد المستخدمة في المنتج في ملصق النوع. هذا الغاز سريع الاشتعال. لذلك احرص على عدم إتلاف نظام التبريد والأنابيب أثناء تشغيل المنتج. في حالة تلف الأنابيب ؛
- 1. لا تلمس المنتج أو سلك الطاقة،
- 2. احتفظ بالمنتج بعيداً عن مصادر الحريق المحتملة التي قد تتسبب في اشتعال المنتج.
- 3. قم بتهوية المنطقة التي وضع فيها المنتج. لا تستخدم مروحة.
- 4. قم بالاتصال بالخدمة المعتمدة.
- في حالة تلف المنتج ولاحظت تسرب الغاز ، يرجى الابتعاد عن الغاز. قد يسبب الغاز قضمة الصقيع إذا لامس جلدك.
- قبل التخلص من المنتجات القديمة التي لا يجب استخدامها بعد الآن:
- 1. أفضل سلك الطاقة من مأخذ التيار.
- 2. اقطع سلك الطاقة وقم بإزالته من الجهاز مع القابس.

- تُستخدم حجرات المجمد ذات النجمتين لتخزين الأطعمة المعبأة مسبقاً، وصنع وتخزين الثلج والآيس كريم.
- المقصورات ذات النجوم الواحدة والنجمة والثلاثة نجوم، غير مناسبة لتجميد الأطعمة الطازجة.
- إذا تم ترك منتج التبريد فارغاً لفترة طويلة، فقم بإيقاف تشغيل المنتج، وقم بإذابة المنتج وتنظيفه وتجفيفه من أجل حماية غلاف المنتج.

⚠️ ٨-١ سلامة الصيانة والتنظيف

- افصل الثلاجة أو قم بفصل التيار الكهربائي عن المصهر قبل تنظيفها أو البدء في إجراء الصيانة.
- لا تسحب من الباب أو مقبض الباب إذا كنت ستقل المنتج لأغراض التنظيف.
- قد يتسبب الباب في حدوث إصابات إذا تم سحب المقبض بقوة.
- لا تضع يديك أو قدميك أو أشياء معدنية أسفل المنتج أو خلفه. فقد يحدث سحق ليديك أو قد تتسبب أي حافة حادة في حدوث إصابات شخصية.
- لا تغسل الجزء الداخلي أو الخارجي من المنتج بغسالة الضغط أو البخار أو رش الماء أو سكب الماء. خطر حدوث صدمة كهربائية وحرق.
- عند تنظيف المنتج، لا تستخدم أدوات حادة وكاشطة أو مواد تنظيف منزلية، ومنظفات، وغاز، وبنزين، ومخفف

3. لا تقم بإزالة الرفوف والأدراج من المنتج لمنع الأطفال من الدخول إلى الجهاز.
4. فك الأبواب
5. قم بتخزين المنتج بحيث لا ينقلب.
6. لا تسمح للأطفال بالعبث بالجهاز المفكك.
- لا تتخلص من المنتج برميهِ في النار. خطر الانفجار.
- إذا كان هناك قفل متوفر في باب المنتج، احفظ مفتاح القفل بعيداً عن متناول الأطفال.

⚠️ ٧-١ سلامة تخزين الطعام

- يرجى الانتباه إلى التحذيرات التالية لتجنب تلف الطعام:
- قد يؤدي ترك الأبواب مفتوحة لفترة طويلة إلى ارتفاع درجة الحرارة داخل المنتج.
- نظف بانتظام أنظمة الصرف التي يمكن الوصول إليها عند ملامستها للطعام.
- قم بتنظيف خزانات المياه التي لم يتم استخدامها لمدة 48 ساعة وأنظمة المياه التي يتم تغذيتها بالتيار الكهربائي والتي لم يتم استخدامها لأكثر من 5 أيام.
- قم بتخزين اللحوم النيئة ومنتجات الأسماك في أجزاء مناسبة داخل المنتج. بحيث لا تقطر أو تتلامس مع الأطعمة الأخرى.

⚠️ ٩-١ الإنارة

اتصل بالخدمة المعتمدة عندما يتعين عليك استبدال مصباح ليد LED / المصباح المستخدم للإضاءة.

⚠️ ١٠-١ التخلص من المنتج القديم

عند التخلص من منتجك القديم، اتبع التعليمات التالية:

- لمنع الأطفال من القفل على أنفسهم عن طريق الخطأ داخل المنتج، إذا كان هناك قفل باب، فقم بتعطيله.
- يعد رذاذ سائل التبريد ضاراً بالعينين. لا تتلف أي جزء من نظام التبريد أثناء التخلص من المنتج.
- قد يكون زيت الضاغط مميتاً إذا تم ابتلاعه أو إذا اخترق الجهاز التنفسي.
- يشتمل نظام التبريد الخاص بمنتجك على غاز R600a كما هو محدد في ملصق النوع. هذا الغاز سريع الاشتعال. لا تتخلص من المنتج برميته في النار. خطر الانفجار!
- ج - يُستخدم البتتان كمادة نفخ في الرغوة العازلة وهو مادة قابلة للاشتعال. لا تتخلص من المنتج برميته في النار.

الدهان، والكحول، والورنيش، والمواد المماثلة. استخدم فقط عوامل التنظيف والصيانة غير الضارة بالطعام داخل المنتج.

- لا تستخدم مواد التنظيف بالبخار أو البخار لتنظيف المنتج وإذابة الثلج بداخله. يلامس البخار المناطق الكهربائية في ثلاجتك ويسبب ماساً كهربائياً أو صدمة كهربائية!
- لا تستخدم أي أدوات ميكانيكية أو أي أدوات أخرى لتسريع عملية الذوبان غير الأدوات التي توصي بها الشركة المصنعة.
- احرص على إبقاء الماء بعيداً عن فتحات التهوية والدوائر الإلكترونية أو إضاءة المنتج. خلاف ذلك، قد يحدث خطر نشوب حريق أو صدمة كهربائية.
- استخدم قطعة قماش نظيفة وجافة لمسح الغبار أو المواد الغريبة على أطراف القوابس. لا تستخدم قطعة قماش رطبة أو مبللة لتنظيف القابس. خلاف ذلك، قد يحدث خطر نشوب حريق أو صدمة كهربائية.

١-٢ الامتثال لتوجيهات الخاصة بنفايات الأجهزة والتخلص منها



يتوافق هذا المنتج مع توجيه الاتحاد الأوروبي الخاص بالنفايات الكهربائية والأجهزة الإلكترونية (EU/2012/19). يحمل هذا المنتج رمز تصنيف التخلق من الأجهزة الكهربائية والإلكترونية (WEEE).

يشير هذا الرمز إلى أنه لا يجب التخلص من هذا المنتج مع النفايات المنزلية الأخرى في نهاية عمره التشغيلي. يجب إعادة الجهاز المستخدم إلى نقطة التجميع الرسمية لإعادة تدوير الأجهزة الكهربائية والإلكترونية. للعثور على أنظمة التجميع هذه، يرجى الاتصال بالسلطات المحلية أو بائع التجزئة الذي تم شراء المنتج منه. تؤدي كل أسرة دوراً مهماً في استعادة وإعادة تدوير الأجهزة القديمة. يساعد التخلص المناسب من الأجهزة المستعملة على منع النتائج السلبية المحتملة على البيئة وصحة الإنسان.

الامتثال لتوجيهات حظر المواد الخطرة

هذا المنتج متوافق مع توجيهات EU RoHS (2011/65/EU). وهو لا يحتوي على مواد ضارة أو محظورة محددة في التوجيهات.

معلومات مواد التغليف



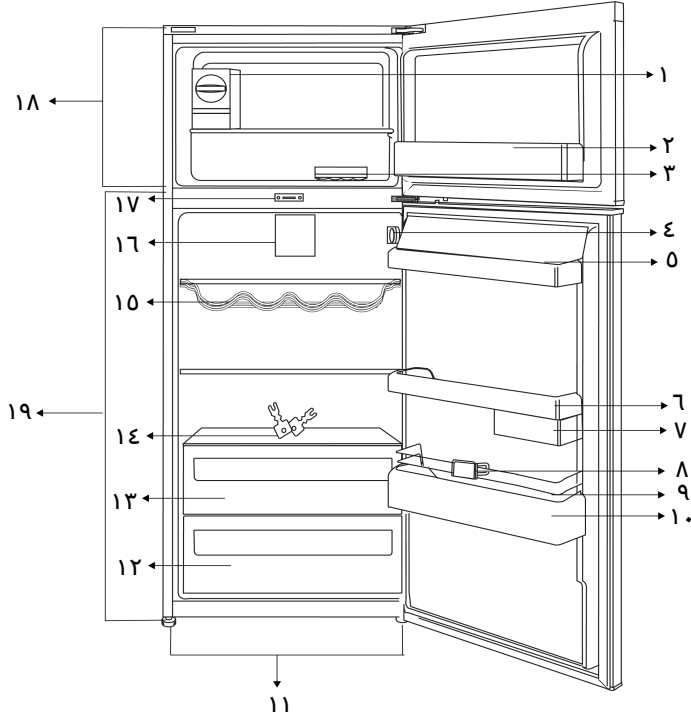
تم تصنيع مواد تغليف المنتج من مواد قابلة لإعادة التدوير طبقاً للوائح البيئية الوطنية. لا تتخلص من مواد التغليف مع النفايات المنزلية وغيرها. قم بنقلها إلى نقاط تجميع مواد التغليف المحددة من قبل السلطات المحلية.

المطابقة للمعايير ومعلومات الاختبار /

إعلان مطابقة المعايير الأوروبية



تتوافق مراحل تطوير هذا المنتج وتصنيعه وبيعه مع قواعد السلامة الواردة في جميع الإرشادات ذات الصلة الصادرة عن الاتحاد الأوروبي. EU, 2014/30/EU, /2014/35, 93/68/EC, IEC 60436/DIN 44990, EN 50242



- | | |
|-------------------------|----------------------------------|
| ٢ رف باب حجرة المجمد | ١ *صانع الثلج |
| ٤ زر ضبط درجة الحرارة | ٣ *صندوق الثلج |
| ٦ *رفوف باب حجرة المبرد | ٥ *حجرة الزيت والجبن |
| ٨ *حامل الزجاجات | ٧ *صندوق التخزين المنزلق |
| ١٠ *رف الزجاجات | ٩ *واقى السلامة |
| ١٢ *رف الخضروات | ١١ الأرجل القابلة للتعديل |
| ١٤ *القفل | ١٣ *درج الألبان (التخزين البارد) |
| ١٦ مروحة | ١٥ *رف الزجاجات |
| ١٨ حجرة المجمد | ١٧ *القفل |
| | ١٩ حجرة المبرد |

***اختياري:** إن الأشكال المذكورة في دليل المستخدم هذا هي تخطيطه وقد لا تتطابق مع جهازك تماما. إذا كان جهازك لا يشتمل على الأجزاء ذات الصلة، فإن المعلومات تعود لطراز أخرى.

- في حالة عدم توفر المكون المشار إليه أعلاه، أو في حالة فقدانه أو سقوطه، ضع الجهاز مع ترك خلوص لا يقل عن 5 سم بين السطح الخلفي للجهاز وجدار الغرفة. الخلوص في خلفية الجهاز مهم لتشغيل الجهاز بكفاءة.

اقرأ قسم "تعليمات الأمان" أولاً!



٤-١ المكان المناسب للتركيب

اتصل بخدمة الصيانة المعتمدة من أجل تركيب الجهاز. لإعداد الجهاز للتركيب، انظر المعلومات في دليل المستخدم وتأكد أن منافع الكهرباء والماء كما هو مطلوب. إذا لم يكن الأمر كذلك، فاتصل بفني كهربائي وسباك مؤهل لترتيب المرافق حسب الضرورة.

٤-٢ التوصيلات الكهربائية

لا تستخدم كابلات التطويل أو المقابس المتعددة في توصيل الطاقة.



يجب استبدال كبل الطاقة التالف بواسطة خدمة الصيانة المعتمدة.



عند وضع مبردين في موضع مجاور، اترك مسافة 4 سم على الأقل بين الوحدتين.



قبل النقل أو الاستخدام، لا تفتح أبداً غطاء لوحة التحكم الموجود على المنتج. خطر حدوث صدمة كهربائية وحريق!



- لا تتحمل شركتنا المسؤولية عن أية أضرار بسبب الاستعمال بدون تأريض وبدون توصيل الطاقة طبقاً للأنظمة المحلية.
- يجب أن يكون قابس كبل الطاقة سهل الوصول بعد التركيب.
- لا تستخدم قابساً متعدد المجموعات مع أو بدون كابل تمديد بين مقبس الحائط والتلاجة.

٤-٣ تثبيت الأوتاد البلاستيكية

استخدم الأوتاد البلاستيكية المزودة مع الجهاز لتوفير مساحة كافية لتوزيع الهواء بين الجهاز والجدار. ركب قطعتين من الأوتاد البلاستيكية كما هو موضح في الشكل التالي. (الصورة المشار إليها مرسومة بشكل تمثيلي، فهي ليست تماماً مثل منتجك.)

تحذير:

لا يتحمل المصنع أية مسؤولية عن الأضرار الناجمة عن الأعمال المنفذة بواسطة أشخاص غير مرخصين.



تحذير:

يجب فصل كبل طاقة الجهاز أثناء التركيب. قد يؤدي الإخفاق في ذلك إلى الموت أو إصابات خطيرة!



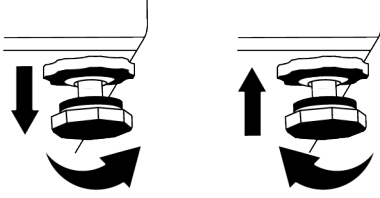
تحذير:

إذا كان حجم الباب ضيقاً لدخول الجهاز، قم بفك الباب وأدر الجهاز إلى جانبه؛ إذا لم ينجح ذلك، اتصل بخدمة الصيانة المعتمدة.



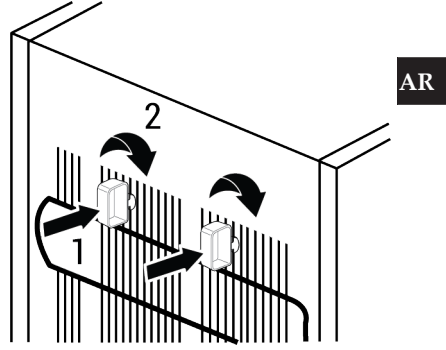
- ضع الجهاز على سطح منبسط لتجنب الاهتزاز.
- ضع الجهاز على بعد 30 سم على الأقل من المدفأة والموقد مصادر الحرارة الأخرى و5 سم على الأقل من الأفران الكهربائية.
- لا تعرض الجهاز لأشعة الشمس المباشرة أو تقيحه في أماكن رطبة.
- لا تقم بتثبيت المنتج في بيئات ذات درجات حرارة أقل من -5 درجة مئوية.
- يتطلب المنتج الخاص بك توزيع الهواء بصورة كافية حتى يعمل بكفاءة. إذا كنت ستضع الجهاز في تجويف بالجدار، فتذكر ترك خلوص لا يقل عن 5 سم بين الجهاز وكل من السقف والجدار الخلفي والجدران الجانبية.
- تأكد أن مكوّن الحماية الخاص بالخلوص بين الجهاز والجدار الخلفي موجود في مكانه (إذا كان مزوداً مع المنتج).

عند القيام بذلك، انتبه إلى عدم حشرك بين المنتج والأرض أو بين المنتج والساق التي تم ضبطها. خطر الإصابة!



٥-٤ تحذير سطح ساخن

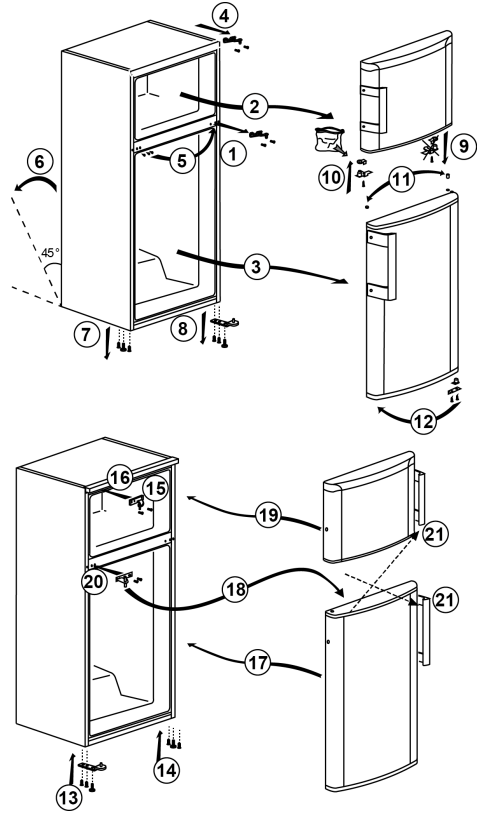
تم تجهيز الجدران الجانبية لمنتجك بأنابيب تبريد لتعزيز نظام التبريد. قد يتدفق السائل ذو الضغط المرتفع عبر هذه الأسطح، وبسبب سخونة للأسطح على الجدران الجانبية. هذا أمر طبيعي ولا يتطلب صيانة. كن حذراً عند لمس هذه المناطق.



٤-٤ ضبط أقدام المنتج

إن لم يكن الجهاز في وضع متوازن، اضبط الأقدام الأمامية القابلة للتعديل بإدارتها إلى اليمين أو اليسار.





٦ الإعداد

- نظراً لأن الهواء الساخن والرطب لن يتغلغل بشكل مباشر في منتجك عند عدم فتح الأبواب، فإن منتجك سيحسن نفسه في ظروف كافية لحماية طعامك. في ظل هذه الظروف، ستعمل الوطائف والمكونات مثل الصاعط، والمروحة، والسخان، وخاصة إزالة الصقيع، والإضاءة، والشاشة، وما إلى ذلك، وفقاً للاحتياجات من خلال استهلاك الحد الأدنى من الطاقة.
- في حالة وجود خيارات متعددة، يجب وضع أرفف زجاجية بحيث لا يتم سد منافذ الهواء الموجودة في الجدار الخلفي، ويفضل بحيث تبقى منافذ الهواء أسفل الرف الزجاجي. قد يساعد هذا المزيج في تحسين توزيع الهواء وكفاءة الطاقة.
- يوصى بشدة باستخدام الدرج السفلي عند التخزين.

اقرأ قسم "تعليمات الأمان" أولاً!



١-٦ إجراءات توفير الطاقة

ينسب توصيل الجهاز بنظام توفير الطاقة الإلكتروني أضراراً، فقد يتلف المنتج.



- جهاز التبريد هذا غير مخصص للاستخدام كجهاز مدمج؛
- لا تدع أبواب الثلاجة مفتوحة لفترات طويلة.
- لا تضع الأطعمة أو المشروبات الساخنة في الثلاجة.
- لا تضع كميات مفرطة في الثلاجة؛ إن إعاقة تدفق الهواء الداخلي يقلل من قدرة التبريد.

في بعض الطرازات، تتوقف لوحة المؤشر عن العمل تلقائياً بعد مرور 1 دقائق على غلق الباب. سيتم إعادة تنشيطها مرة أخرى عند فتح الباب أو عند الضغط على أي زر.



- يجب تخزين الطعام باستخدام الأدرج في حجرة المبرد لضمان توفير الطاقة وحماية الطعام في ظروف أفضل.

٢-٦ الاستخدام لأول مرة

- قبل استخدام ثلاجتك، تأكد من إجراء الإعدادات الضرورية انسجاماً مع التعليمات المذكورة في أقسام "تعليمات السلامة والبيئة" و"التركيب".
- قم بتشغيل الجهاز دون وضع أي أطعمة داخله لمدة 6 ساعات مع عدم فتح الباب إلا للضرورة القصوى.
 - قد يؤدي تغيير درجة الحرارة الناجم عن فتح وإغلاق الباب أثناء استخدام المنتج عادةً إلى تشكل تكاثف على أرفف الباب / الهيكل والأواني الزجاجية الموضوعه في المنتج.

٣-٦ فئة المناخ والتعاريف

- يرجى الرجوع إلى فئة المناخ على لوحة التصنيف الخاصة بجهازك. تنطبق إحدى المعلومات التالية على جهازك وفقاً لفئة المناخ.
- SN: المناخ المعتدل على المدى الطويل: تم تصميم جهاز هذا للاستخدام في درجات حرارة محيطه تتراوح بين 10 درجة مئوية و 32 درجة مئوية.
 - N: المناخ المعتدل: تم تصميم جهاز هذا للاستخدام في درجات حرارة محيطه تتراوح بين 16 درجة مئوية و 32 درجة مئوية.
 - ST: المناخ شبه الاستوائي: تم تصميم جهاز هذا للاستخدام في درجات حرارة محيطه تتراوح بين 16 درجة مئوية و 38 درجة مئوية.
 - T: المناخ الاستوائي: تم تصميم جهاز هذا للاستخدام في درجات حرارة محيطه تتراوح بين 16 درجة مئوية و 43 درجة مئوية.

يمكن سماع صوت عندما يعمل الضاغط. من الطبيعي أن يُصدر المنتج ضوضاء حتى في حالة عدم تشغيل الضاغط، حيث قد يتم ضغط السوائل والغاز في نظام التبريد.



ومن الطبيعي أن تكون الحواف الأمامية للثلاجة ساخنة. صُممت هذه الأجزاء لرفع درجة الحرارة لمنع التكاثف.

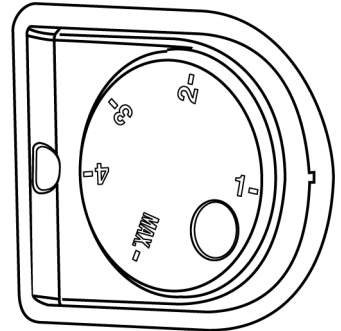


V استخدام المنتج

اقرأ قسم "تعليمات الأمان" أولاً!



١-٧ زر ضبط درجة الحرارة



زر ضبط درجة الحرارة مخصص لضبط درجة حرارة الثلاجة.

ضبط درجة حرارة الثلاجة

اضبط درجة الحرارة الكلية للثلاجة باستخدام زر ضبط درجة الحرارة الموجود على الجانب الأيمن من حجرة المبرد. يمكن ضبط درجة الحرارة إلى 5 مستويات مختلفة باستخدام زر الضبط. يمكنك ضبط الموقع المطلوب.

نظام التبريد المزدوج

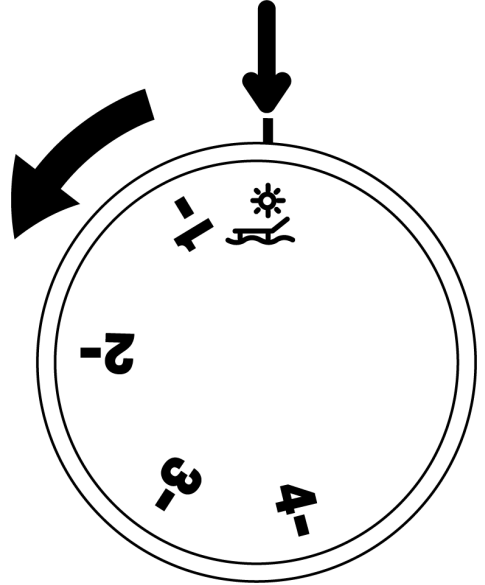
يُستخدم نظامي تبريد منفصلين لتبريد حجرة الأطعمة الطازجة وحجرة الأطعمة المجمدة في الثلاجة. بهذه الطريقة، لا يختلط الهواء الموجود داخل حجرة الأطعمة الطازجة وحجرة الأطعمة المجمدة معاً. باستخدام نظامي التبريد المنفصلين، يكون معدل التبريد أسرع بكثير مقارنة بالثلاجات الأخرى. لا تختلط الروائح الموجودة داخل الحجرات. بالإضافة إلى ذلك، يتم توفير المزيد من الطاقة نظراً لأن عملية إزالة الصقيع التلقائية عملية منفصلة.

٢-٧ وظيفة العطللة

سَتَمَكِّن وظيفة العطللة تلقائياً إذا تم ضبط منظم الحرارة على الوضع الأكثر دقاً وظلت الأبواب مغلقة لمدة 12 ساعة على الأقل.

لإلغاء الوظيفة، اضبط إعداد منظم الحرارة أو افتح باب الجهاز وأغلقه.

يوصى بعدم تخزين الطعام في حجرة المبرد عندما تكون وظيفة العطللة مُمكنة.



- يجب تقسيم الأطعمة المراد تجميدها إلى حصص حسب الكمية المراد استهلاكها، مع تجميدها في عبوات منفصلة.
- يوصى بتعبئة الأطعمة قبل وضعها في المجمد.
- من أجل منع انتهاء صلاحية وقت التخزين، اكتب تاريخ التجميد ووقته واسم المنتج على العبوة وفقاً لأوقات تخزين الأطعمة المختلفة.
- استهلك الأطعمة التي قمت بإذابتها بسرعة. لا يمكن تجميد الأطعمة التي تم إذابتها مرة أخرى إلا إذا تم طهيها. ليس من الآمن تناول الأطعمة الطازجة المجمدة دون طهيها بعد إذابتها.
- أثناء تجميد الأطعمة الطازجة، لا تجعلها تلامس مع الأطعمة المجمدة بالفعل. بخلاف ذلك، سيتم إذابة الأطعمة المجمدة.

تخزين الأطعمة المباعة مجمدة

- اتبع دائماً تعليمات المنتج فيما يتعلق بالوقت الذي يُطلب منك خلاله تخزين الأطعمة الخاصة بك. لا تفرط في الوقت المحدد في هذه التعليمات!
- من أجل حماية جودة الطعام، حافظ على الفاصل الزمني بين معاملة الشراء والتخزين قصيراً قدر الإمكان.
- اشترى الأطعمة المجمدة التي يتم تخزينها في -18 درجة مئوية أو درجات حرارة منخفضة.
- تجنب شراء الأطعمة التي تكون عبواتها مغلطة بالتلج وما إلى ذلك. وهذا يعني أنه يمكن إذابة المنتج جزئياً وإعادة تجميده. تؤثر درجة الحرارة على جودة الطعام.
- لا تفرط في وقت التخزين الذي أوصى به منتج الطعام. قم بإزالة الطعام بالقدر الذي تحتاجه فقط من المجمد.
- باستثناء الحالات التي تتوفر فيها ظروف بيئية شديدة، إذا تم ضبط منتجك (في جدول القيم المحددة الموصى بها) على القيم المحددة المحددة، فإن الطعام يحافظ على نضارته لفترة أطول في كل من حجرة المنتج الطازج ومقصورة المجمد.
- إذا تم ضبط حجرة الطعام الطازج على درجة حرارة منخفضة، فقد يتم تجميد الفواكه والخضروات الطازجة جزئياً.

٣-٧ إيقاف تشغيل المنتج

إذا كان منظم الحرارة في الوضع "0"؛

- سيتوقف المنتج عن العمل إذا كان مقبض منظم الحرارة عند الوضع "0". لن يعود المنتج إلى العمل إذا لم تلف المقبض إلى الوضع "1" أو غيره من الأوضاع.

إذا كان منظم الحرارة في الوضع "min"؛

- انزع القابس من المقبض لإيقاف تشغيل المنتج.

٤-٧ تخزين الطعام في حجرة المجمد والمبرد

تخزين الطعام في مقصورة المجمد

- يمكنك تنشيط وظيفة التجميد السريع قبل 4-6 ساعات من وظيفة التجميد وإجراء تبريد أسرع.
- ضع الوجبات الساخنة في درجة حرارة الغرفة قبل وضعها في مقصورة المجمد.

جدول القيم الموصى بها

تفاصيل المجمد

وفقاً لمعايير IEC 62552، يجب أن يتمتع المجمد بالقدرة على تجميد 4.5 كجم من المواد الغذائية عند 18- درجة مئوية أو درجات حرارة منخفضة عند درجة حرارة الغرفة 25 درجة مئوية خلال 24 ساعة لكل 100 لتر من حجم حجرة التجميد.

يمكن الاحتفاظ بالأطعمة لفترات طويلة عند درجة حرارة 18- أو أقل.

يمكنك المحافظة على نضارة الأطعمة لعدة أشهر (في المجمد أو تحت درجة - 18 مئوية).

يجب أن لا تتلامس الأطعمة المراد تجميدها مع الأطعمة المجمدة سلفاً في الداخل لتجنب الذوبان الجزئي.

اسلق الخضار ونقي الماء لإزالة زمن تخزين المجمدات. ضع الطعام في أغلفة مانعة للهواء بعد التنقية وخرزنها في المجمد. يجب عدم تجميد الموز، الطماطم، الخس، الكرفس، البيض المسلوقة، البطاطا والأطعمة المماثلة. في حالة تجميد هذه الأطعمة، ستأثر القيم الغذائية ونوعية الأكل سلباً فقط. والتعفن الذي من شأنه أن يهدد صحة الإنسان ليس موضع تساؤل.

وضع الطعام

أرفف مقصورة المجمد: الأصناف المجمدة المختلفة بما يشمل اللحم، السمك، الأيس كريم، الخضار، الخ.

أرفف مقصورة المبرد: أصناف الطعام داخل القصور، الأطباق المغطاة والعلب المغطاة، البيض (في علبة مغطاة)

أرفف باب مقصورة المبرد: الأطعمة والمشروبات الصغيرة والمعبأة

درجة الخضروات: الخضروات والفواكه

مقصورة الأطعمة الطازجة: الأطعمة اليومية (طعام الإفطار، اللحوم التي تستهلك خلال فترة قصيرة)

تخزين الطعام في مقصورة المبرد

- ترتفع درجات حرارة المقصورة بشكل بارز إذا تم فتح باب الحجرة وإغلاقه بشكل متكرر وظل مفتوحاً لفترة طويلة، فقد يؤدي ذلك إلى تقليل العمر الافتراضي للطعام وتلف الطعام.
- من أجل عدم إحداث تغييرات في الرائحة والمذاق، يجب تخزين الطعام في عبوات مغلقة.

- لا تخزن الكثير من الطعام الزائد في ثلاجتك. لتحقيق تبريد أفضل ومتجانس، ضع الطعام بشكل منفصل بحيث يمكن للهواء البارد أن يتجول فيه.
- قم بتوفير تدفق الهواء من خلال ترك مسافة بين الطعام والجدار الداخلي. إذا قمت بوضع الطعام على الحائط الخلفي، فقد يتجمد الطعام.
- أترك الوجبات الساخنة المطبوخة حتى تصل إلى درجة حرارة الغرفة قبل وضعها في الثلاجة. بعد ذلك، يمكنك وضع الوجبة الفاترة في الأرفف السفلية للثلاجة. لا تضع الوجبات الفاترة بالقرب من الأطعمة التي قد تفسد بسهولة.
- قم بإذابة طعامك المجمد في حجرة الطعام الطازج. وبالتالي، يمكنك تبريد حجرة الطعام الطازج باستخدام الأطعمة المجمدة وتوفير الطاقة.
- قد يؤدي تخزين الفواكه الاستوائية غير الناضجة (المانجو وأصناف البطيخ والبابايا والموز والأناناس) في الثلاجة، إلى تسريع عملية النضج، ولا ينصح بذلك لأنه سيؤدي إلى تقليل وقت التخزين.
- يجب تخزين البصل والثوم والأصابع والخضروات الجذرية الأخرى في ظروف الغرفة المظلمة والباردة، وليس في الثلاجة.
- إذا لاحظت تلف الطعام في الثلاجة، فتخلص من هذا الطعام ونظف الملحقات التي لامست الطعام.
- من أجل تبريد وجبات الطعام مثل الحساء واليخات، والتي يتم طهيها في القدور الكبيرة، يمكنك بسرعة وضعها في الثلاجة عن طريق فصلها في أوانها الضحلة.
- لا تضع الأطعمة غير المعبأة بالقرب من البيض.
- احتفظ بالفواكه والخضروات بشكل منفصل وقم بتخزين كل نوع معاً (على سبيل المثال، تفاح مع تفاح وجزر مع جزر).
- أخرج الخضروات من الكيس البلاستيكي وضعها في الثلاجة بعد لفها بمنشفة ورقية أو قطعة قماش تجفيف. إذا قمت بغسل هذا النوع من الطعام قبل وضعه في الثلاجة، فتذكر أن تجففهم.
- يمكنك إنشاء بيئة رطبة وتوفير تدفق للهواء عن طريق الاحتفاظ بالفواكه والخضروات المعرضة للجفاف في الأكياس البلاستيكية المثقبة أو غير المغلقة.

المحددة، فإن الطعام يحافظ على نضارته لفترة أطول في كل من حجرة المنتج الطازج ومقصورة المجمد.

تخزين المواد الغذائية المختلفة في أماكن مختلفة حسب خصائصها.

الموقع	الطعام
أرفف الباب	البيض
إذا كانت متوفرة، حجرة الدرجة الصفر (لطعام الإفطار)	منتجات الألبان (الزبدة والجبن)
حجرة الفواكه والخضروات أو درج الخضروات أو مقصورة EverFresh+ (إذا وجدت)	الفواكه والخضروات والنباتات الخضراء
إذا كانت متوفرة، حجرة الدرجة الصفر (لطعام الإفطار)	اللحوم الطازجة والدواجن والأسماك والتفاح وما إلى ذلك الأطعمة المطبوخة
الأرفف العلوية أو رف الباب	الأطعمة الجاهزة للتقديم والمنتجات المعبأة والأطعمة المعلبة والمخللات
أرفف الباب	المشروبات والزجاجات والتوابل والوجبات الخفيفة

٤-٤-٧

مسموع. بعد 4 دقائق، إذا كان الباب لا يزال مفتوحاً، يتم تنشيط تحذير مرئي (وميض ضوئي). سيتأخر تحذير فتح الباب لفترة زمنية معينة (بين 60 ثانية و 120 ثانية) عند الضغط على أي مفتاح على شاشة المنتج، إن وجدت. ثم ستبدأ العملية مرة أخرى. سيتم إيقاف تحذير فتح الباب بمجرد إغلاق باب الجهاز.

٥-٧ تحذير فتح الباب

قد يختلف نظام تحذير فتح الباب في تلاجتك تبعاً للطرز.

النسخة 1:

إذا ظل باب المنتج مفتوحاً لفترة معينة (بين 60 ثانية و 120 ثانية)، تصدر إشارة تحذير صوتية، اعتماداً على طراز المنتج، يمكن أيضاً عرض إشارة تحذير مرئية (وميض ضوئي). إذا أغلقت باب الجهاز أو ضغطت على أي زر على شاشة الجهاز، إن وجدت، فسيتوقف صوت التحذير.

النسخة 2:

يتم إصدار تحذير فتح الباب، إذا ظل باب الجهاز مفتوحاً لفترة زمنية معينة (بين 60 ثانية و 120 ثانية). يُطلق تحذير فتح الباب تدريجياً. أولاً، يبدأ صوت تحذير

٨ مواصفات المنتج

١-٨ منطقة تخزين الثلج

حاوية الثلج

تسمح لك علبة الثلج بأخذ الثلج من التلاجة بسهولة.

استخدام علبة الثلج

1. أخرج علبة الثلج من مقصورة المجمد.
2. املا العلبة بالماء.
3. ضع علبة الثلج في حجرة المجمد. سيكون الثلج جاهزاً بعد ساعتين تقريباً.

4. أخرج علبة الثلج من حجرة المجمد وقم بإماتته قليلاً فوق الحامل الذي ستستخدمه للتقديم. سيسكب الثلج بسهولة في حامل التقديم.

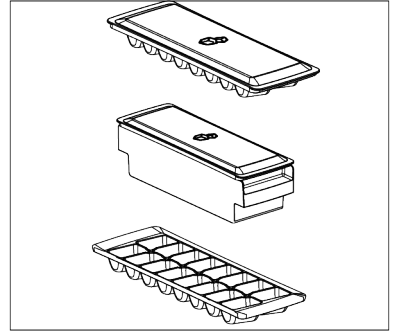
٣-٨ رف الخضروات

تم تصميم درج خضار التلاجة للحفاظ على الخضار طازجة من خلال المحافظة على الرطوبة. لهذه الغاية، يتم تكثيف التوزيع الكلي للماء البارد في درج الخضار. احتفظ بالفواكه والخضار في هذه الحجرة. احتفظ بالخضروات ذات الأوراق الخضراء والفواكه بشكل منفصل لإطالة عمرها.

٤-٨ منطقة التخزين البارد لمنتجات الألبان

درج التخزين البارد

يمكن أن يصل درج التخزين البارد إلى درجات حرارة منخفضة في حجرة المبرد. استخدم هذا الدرج للمنتجات الرهيفة (السلامي، السجق، إلخ) ومنتجات الألبان التي تتطلب ظروف تخزين أكثر برودة، أو لاستهلاك اللحوم أو الدجاج أو الأسماك بسرعة. ليس من المناسب تخزين الفواكه والخضروات في هذا الدرج.



٢-٨ حامل البيض

يمكنك وضع حامل البيض على الباب أو رف الجسم الذي تريده. في حالة وضع حامل البيض على رف الهيكل، نوصيك باختبار أرفف سفلية أكثر برودة.

لا تضع حامل البيض في حجرة الفريزر أبدًا



٩ الصيانة والتنظيف

- احرص على إبعاد الماء عن غطاء المصباح والأجزاء الكهربائية الأخرى.
- نظف الباب بقطعة قماش رطبة. قم بإزالة جميع المحتويات لإزالة الباب ورفوف الهيكل. قم بإزالة رفوف الباب برفعها لأعلى. نظف الرفوف وجففها، ثم ركبها في مكانها ثانية بتمريرها من الأعلى.
- لا تستخدم الماء المحتوي على الكلور أو منتجات التنظيف على السطح الخارجي والأجزاء المطلوبة بالكروم من الجهاز. يسبب الكلور الصدأ على هذه الأسطح المعدنية.
- لا تستخدم الأدوات الحادة والكاشطة والصابون ومواد تنظيف المنزل والمنظفات والغاز والبنزين والورنيش والمواد المماثلة لمنع تشوه الجزء البلاستيكي وإزالة المطبوعات الموجودة عليه. استخدم الماء الدافئ وقماسة ناعمة للتنظيف ثم جفف الجهاز.
- بالنسبة للمنتجات التي لا تحتوي على ميزة تبريد مضاد للصقيع No-Frost، قد تظهر قطرات الماء وتلج بسلك الإصبع على الجدار الخلفي لمقصورة المبرد. لا تنظف، ولا تستخدم الزيوت أو المواد الشاهبة.

تحذير:

اقرأ قسم "تعليمات الأمان" أولاً!



تحذير:

قبل تنظيف تلاجتك، افصلها عن الكهرباء أو قم بإلغاء تنشيط المصهر المتصل بها.



- لا تضع بديك أو قدميك أو أي أشياء معدنية تحت التلاجة أو بين التلاجة والأرضية لأي سبب كان. فقد يحدث سحق ليديك أو قد تسبب أي حافة حادة في حدوث إصابات شخصية.
- لا تستخدم أدوات حادة أو كاشطة لتنظيف المنتج. لا تستخدم مواد مثل مواد التنظيف المنزلية والصابون والمنظفات والغاز والبنزين والكحول والشمع وما إلى ذلك.
- يجب إزالة الغبار من شبكة التهوية الموجودة في الجزء الخلفي من المنتج مرة واحدة في السنة على الأقل (بدون فتح الغطاء). نظف المنتج بقطعة قماش جافة

برفق بقطعة قماش من الألياف الدقيقة مبللة بالماء واستخدم قطعة قماش شمواه جافة للتلميع. اتبع دائماً اتجاه عروق الفولاذ المقاوم للصدأ.

منع الروائح

تم تصنيع المنتج من مواد خالية من الروائح. ومع ذلك، فإن تخزين الطعام بشكل غير مناسب والتنظيف غير المناسب للأسطح الداخلية قد يؤدي إلى ظهور الروائح.

• لتجنب ذلك، نظف الجزء الداخلي بماء مكرين كل 15 يوماً.

• احتفظ بالأطعمة في حوامل مغلقة، لأن الكائنات الحية الدقيقة الناتجة عن الأطعمة المحفوظة في عبوات غير محكمة الغلق تسبب رائحة كريهة.

• لا تترك الأطعمة التالفة ومتهية الصلاحية في الثلاجة.

حماية الأسطح البلاستيكية

قد يتلف الزيت المنسكب على الأسطح البلاستيكية السطح، لذا يجب تنظيفه بالماء الساخن فوراً.

• استخدم فقط قطعة قماش من الألياف الدقيقة مبللة قليلاً لتنظيف السطح الخارجي للمنتج. قد تسبب الإسفنج وأنواع تنظيف الملابس الأخرى خدوشاً.

• لتنظيف جميع المكونات القابلة للإزالة أثناء تنظيف السطح الداخلي للمنتج، اغسل هذه المكونات بمحلول معتدل يتكون من الصابون والماء والكربونات. اشطفه وجففه كلياً. امنع ملامسة الماء لمكونات الإضاءة ولوحة التحكم.

تنبيه:



لا تستخدم الخل أو الكحول المحمر أو مواد التنظيف الأخرى التي تحتوي على الكحول على أي سطح داخلي.

الأسطح الخارجية من الفولاذ المقاوم للصدأ

استخدم مادة تنظيف غير كاشطة مصنوعة من الفولاذ المقاوم للصدأ وقم بتطبيقها بقطعة قماش ناعمة وخالية من النسالة. للتلميع، امسح السطح

١٠ استكشاف الأخطاء وإصلاحها

• المكان رطب جداً. <<< لا تضع الجهاز في أماكن رطبة.

• الأطعمة المحتوية على سوائل تحفظ في مستوعبات غير محكمة الإغلاق. <<< احتفظ بالأطعمة المحتوية على سوائل في مستوعبات محكمة الإغلاق.

• ترك الباب مفتوحاً. <<< لا تدع أبواب الثلاجة مفتوحة لفترات طويلة.

• تم ضبط منظم الحرارة على درجة حرارة باردة جداً. <<< اضبط التيرموستات على درجة حرارة مناسبة.

الضاغط لا يعمل.

• في حال حدوث انقطاع مفاجئ في التيار الكهربائي أو سحب قابس الطاقة وإعادته مرة أخرى، يصبح ضغط الغاز في نظام تبريد الجهاز غير متوازن، مما يفعل الواقي الحراري للضاغط. يعمل المنتج من جديد بعد 6 دقائق تقريباً. إذا لم يعمل الجهاز بعد هذه الفترة، اتصل بمركز الصيانة.

• إزالة الجليد غير نشطة. <<< هذا أمر طبيعي في جهاز مقاوم للصدأ. تتم إزالة الجليد دورياً.

• الجهاز غير موصل بالكهرباء. <<< تأكد أن سلك الطاقة موصل بالكهرباء.

اقرأ قسم "تعليمات الأمان" أولاً!



تحقق من هذه القائمة قبل الاتصال بمركز الصيانة. من شأن ذلك توفير الوقت والمال. تتضمن هذه القائمة الشكاوى غير المرتبطة بعيوب الصناعة أو المواد. وقد لا تنطبق سمات معينة المذكورة هنا على جهازك.

تحذير: إن استمرت المشكلة بعد اتباع تعليمات هذا القسم، اتصل بالبائع أو بمركز خدمة معتمد. لا تحاول إصلاح الجهاز.

الثلاجة لا تعمل.

• قابس الطاقة غير مستقر كلياً. <<< ادفعه بحيث يستقر في المقبس كلياً.

• الصمام الموصل بالمقبس الذي يزود الجهاز بالطاقة أو الصمام الرئيسي تالف. <<< افحص الصمام.

• هناك تكاثف على جانب جدار حجرة المبرد (المنطقة المتعددة، منطقة التبريد، التحكم والمنطقة المرنة).

• يتم فتح الباب بشكل متكرر. <<< احرص على عدم فتح باب المنتج كثيراً.

• إعداد درجة الحرارة غير صحيح. <<< اختر إعدادا صحيحا لدرجة الحرارة.

• لا يوجد تيار كهربائي. <<< يستمر الجهاز بالعمل بشكل طبيعي حال عودة الطاقة.

يزداد ضجيج تشغيل التلاجة أثناء الاستعمال.

• وقد يتباين أداء عمل الجهاز بناء على تغيرات درجة حرارة المكان. هذا أمر طبيعي ولا يعتبر عطلا.

تعمل التلاجة لفترة زمنية طويلة.

• ربما يكون المنتج الجديد أكبر من المنتج السابق. تعمل الأجهزة الأكبر فترات زمنية أطول.

• ربما تكون درجة حرارة الغرفة عالية. <<< يعمل الجهاز فترات طويلة في درجات الحرارة العالية.

• ربما تم توصيل الجهاز بالكهرباء مؤخرا أو تم وضع صنف طعام جديد داخله. <<< يستغرق الجهاز فترة أطول لبلوغ درجة الحرارة المعينة عند توصيله بالكهرباء حديثا أو عند وضع صنف طعام جديد داخله. هذا أمر طبيعي.

• ربما تم وضع كميات كبيرة من الطعام الساخن في الجهاز مؤخرا. <<< لا تضع الطعام الساخن داخل الجهاز.

• تم فتح الأبواب كثيرا أو تركت مفتوحة لفترات طويلة. <<< لا تفتح الأبواب كثيرا.

• ربما يكون الباب مواربا. <<< أغلق الباب كليا.

• ربما تم توصيل الجهاز بالكهرباء مؤخرا أو تم وضع صنف طعام جديد داخله. <<< هذا أمر طبيعي.

• يستغرق الجهاز فترة أطول لبلوغ درجة الحرارة المعينة عند توصيله بالكهرباء حديثا أو عند وضع صنف طعام جديد داخله.

• ربما تم وضع كميات كبيرة من الطعام الساخن في الجهاز مؤخرا. <<< لا تضع الطعام الساخن داخل الجهاز.

الاهتزاز أو الضجيج.

• السطح ليس مسطحا أو متينا <<< إذا كان المنتج يهتز عند تحريكه ببطء، فاضبط الحامل لموازنة المنتج. تأكد أن الأرض متينة لدرجة تحمل الجهاز.

• قد تحدث أية مواد موضوعة على الجهاز ضجيجا. <<< قم بإزالة أية مواد وضعت على الجهاز.

• يصدر الجهاز ضجيجا يشبه تدفق السوائل، أو الرش، الخ.

• يتخلل مبادئ تشغيل الجهاز تدفق السائل والغاز. <<< هذا أمر طبيعي ولا يعتبر عطلا.

هناك صوت كهبوب الرياح يأتي من الجهاز.

• يستخدم الجهاز مروحة في عملية التبريد. هذا أمر طبيعي ولا يعتبر عطلا.

• إعداد درجة الحرارة غير صحيح. <<< اختر إعدادا صحيحا لدرجة الحرارة.

• لا يوجد تيار كهربائي. <<< يستمر الجهاز بالعمل بشكل طبيعي حال عودة الطاقة.

يزداد ضجيج تشغيل التلاجة أثناء الاستعمال.

• وقد يتباين أداء عمل الجهاز بناء على تغيرات درجة حرارة المكان. هذا أمر طبيعي ولا يعتبر عطلا.

تعمل التلاجة لفترة زمنية طويلة.

• ربما يكون المنتج الجديد أكبر من المنتج السابق. تعمل الأجهزة الأكبر فترات زمنية أطول.

• ربما تكون درجة حرارة الغرفة عالية. <<< يعمل الجهاز فترات طويلة في درجات الحرارة العالية.

• ربما تم توصيل الجهاز بالكهرباء مؤخرا أو تم وضع صنف طعام جديد داخله. <<< يستغرق الجهاز فترة أطول لبلوغ درجة الحرارة المعينة عند توصيله بالكهرباء حديثا أو عند وضع صنف طعام جديد داخله. هذا أمر طبيعي.

• ربما تم وضع كميات كبيرة من الطعام الساخن في الجهاز مؤخرا. <<< لا تضع الطعام الساخن داخل الجهاز.

• تم فتح الأبواب كثيرا أو تركت مفتوحة لفترات طويلة. <<< لا تفتح الأبواب كثيرا.

• ربما يكون الباب مواربا. <<< أغلق الباب كليا.

• ربما تم توصيل الجهاز بالكهرباء مؤخرا أو تم وضع صنف طعام جديد داخله. <<< هذا أمر طبيعي.

• يستغرق الجهاز فترة أطول لبلوغ درجة الحرارة المعينة عند توصيله بالكهرباء حديثا أو عند وضع صنف طعام جديد داخله.

• ربما تم وضع كميات كبيرة من الطعام الساخن في الجهاز مؤخرا. <<< لا تضع الطعام الساخن داخل الجهاز.

الاهتزاز أو الضجيج.

• السطح ليس مسطحا أو متينا <<< إذا كان المنتج يهتز عند تحريكه ببطء، فاضبط الحامل لموازنة المنتج. تأكد أن الأرض متينة لدرجة تحمل الجهاز.

• قد تحدث أية مواد موضوعة على الجهاز ضجيجا. <<< قم بإزالة أية مواد وضعت على الجهاز.

• يصدر الجهاز ضجيجا يشبه تدفق السوائل، أو الرش، الخ.

• يتخلل مبادئ تشغيل الجهاز تدفق السائل والغاز. <<< هذا أمر طبيعي ولا يعتبر عطلا.

هناك صوت كهبوب الرياح يأتي من الجهاز.

• يستخدم الجهاز مروحة في عملية التبريد. هذا أمر طبيعي ولا يعتبر عطلا.

هناك تكائف على الجدران الداخلية للجهاز.

- يزيد الطقس الحار أو الرطب من تشكل الصقيع والتكائف. هذا أمر طبيعي ولا يعتبر عطلا.
- تم فتح الأبواب كثيرا أو تركت مفتوحة لفترات طويلة. <<< لا تفتح الأبواب كثيرا؛ إذا كانت مفتوحة، أغلقها.
- ربما يكون الباب مواربا. <<< أغلق الباب كليا.

هناك تكائف على السطح الخارجي للجهاز أو بين الأبواب.

- ربما يكون جو المكان رطبا، وهذا أمر طبيعي في الجو الرطب. <<< سيتبدد التكائف عندما تقل الرطوبة.

رائحة الجزء الداخلي سيئة.

- لا يتم تنظيف الجهاز بانتظام. <<< نظف الجزء الداخلي بانتظام مستخدما إسفنجة وماء دافئ وماء مكرين.
- قد تسبب بعض المستوعبات ومواد التغليف بالروائح. <<< استخدم المستوعبات ومواد التغليف الخالية من الروائح.
- تم وضع الطعام في مستوعبات غير محكمة الإغلاق. <<< احتفظ بالأطعمة في مستوعبات محكمة الإغلاق. قد تنتشر الميكروبات من الأطعمة غير المغلقة مسببة الروائح الكريهة.
- تخلص من أية أطعمة فاسدة أو منتهية الصلاحية داخل الجهاز..

الباب لا يغلق.

- تسد أغلفة الطعام الباب أحيانا. <<< غير مكان الأطعمة التي تسد الأبواب.
- لا يقف الجهاز بوضع رأسي كامل على الأرض. <<< اضبط القواعد لموازنة الجهاز.
- السطح ليس مسطحا أو متينا <<< تأكد من أن السطح مسطح ومتين بدرجة كافية لتحمل المنتج.

درج الخضروات محشور.

- ربما تلامس الأطعمة الجزء العلوي من الجارور. <<< أعد ترتيب الأطعمة في الجارور.

درجة الحرارة على سطح المنتج.

- يمكن ملاحظة ارتفاع درجة الحرارة بين البابين ، على الألواح الجانبية وعلى منطقة الشبكة الخلفية أثناء تشغيل المنتج. هذا أمر طبيعي ولا يتطلب صيانة.

تستمر المروحة في العمل عند فتح الباب.

- قد تستمر المروحة في العمل عندما يكون باب المجمد مفتوحا.



تحذير: إن استمرت المشكلة بعد اتباع تعليمات هذا القسم، اتصل بالبائع أو بمركز خدمة معتمد. لا تحاول إصلاح الجهاز. هذا أمر طبيعي.